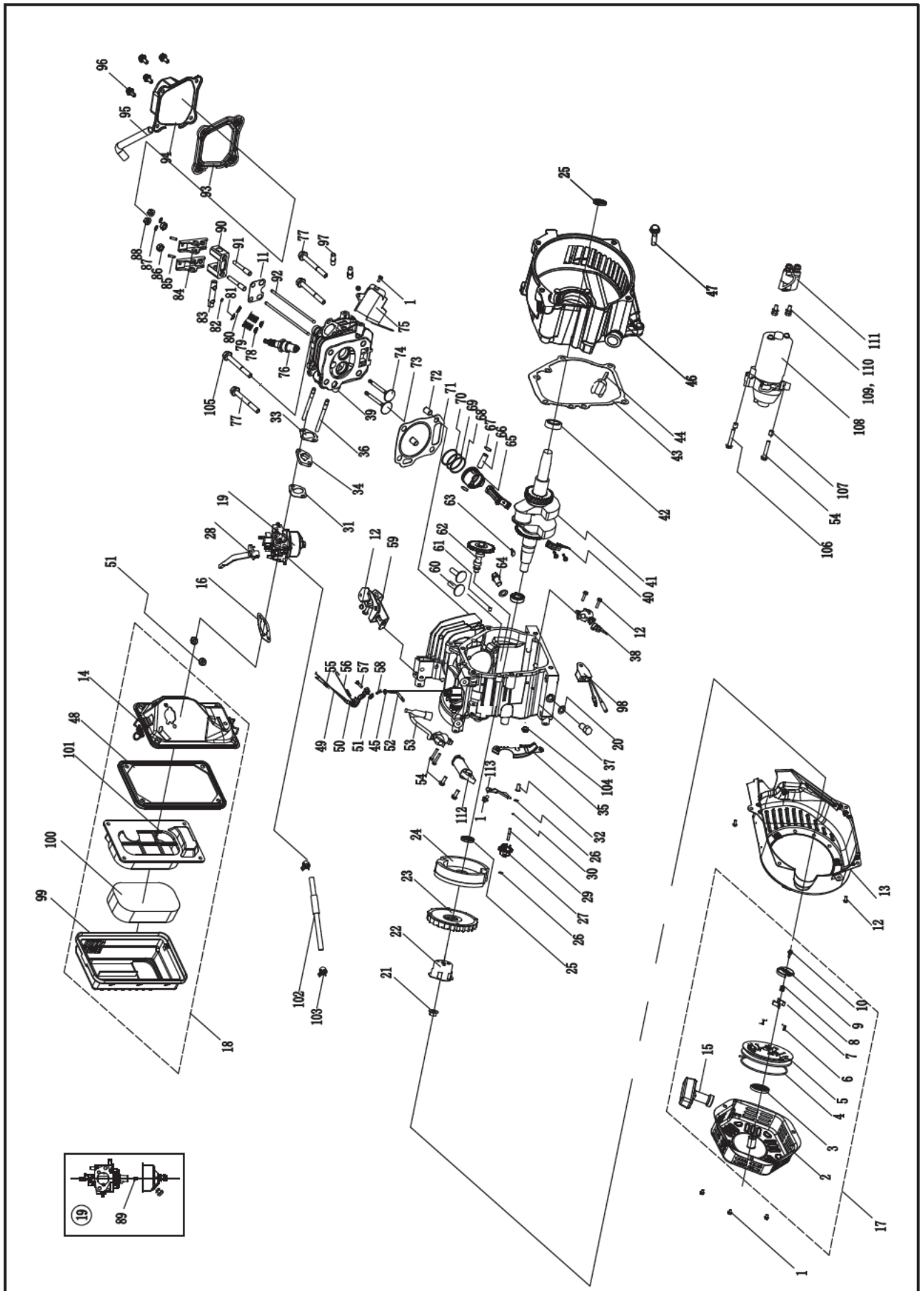


CPG4000 E1 (EU/SC) PARTS DIAGRAM

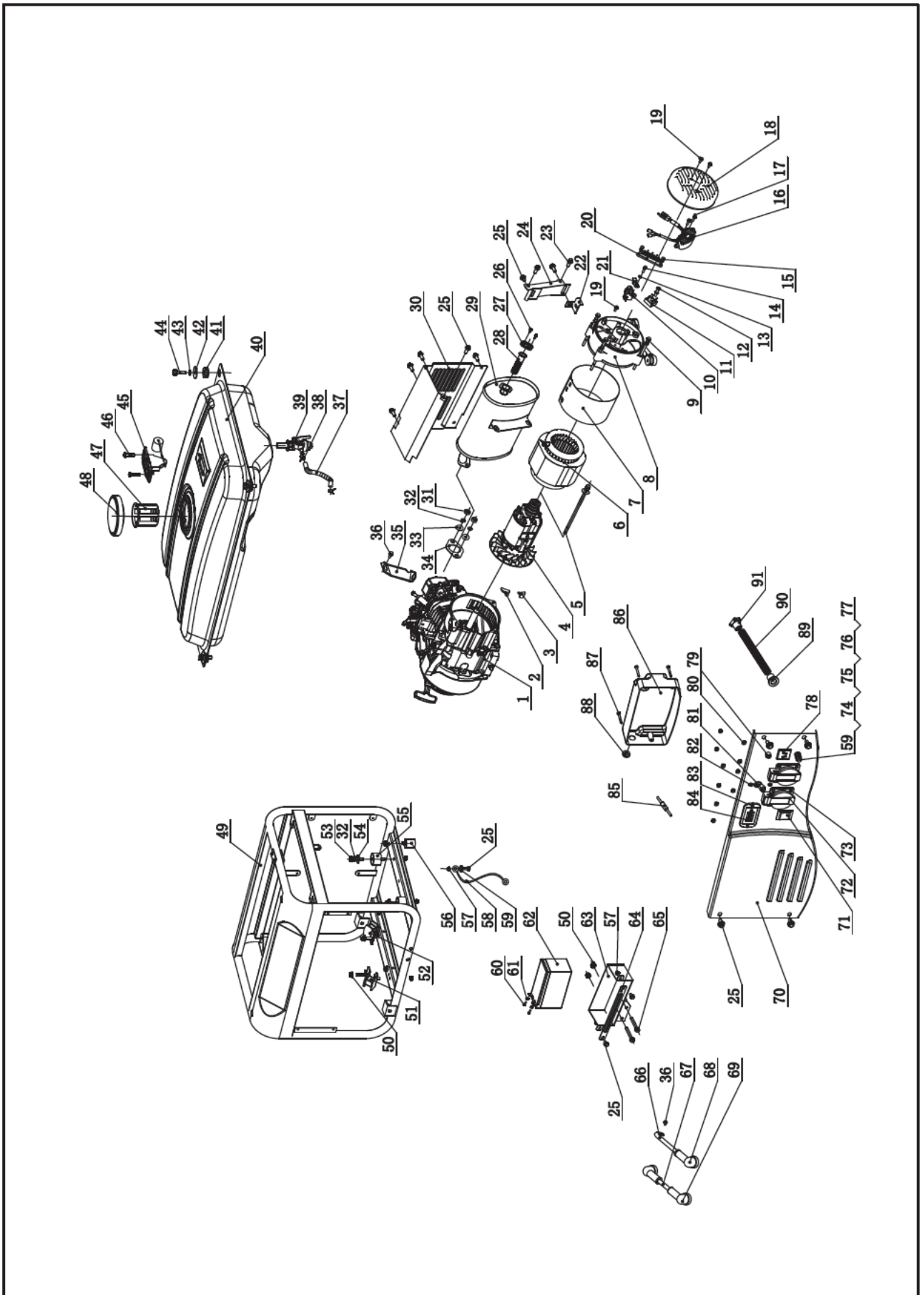


CPG4000 E1 (EU/SC) PARTS LIST

No.	Part Number	Description	Qty
1	1.5789.0608	Flange Bolt M6 × 8	6
2	22.061100.00.2	Cover, Recoil Starter, Black	1
3	21.061005.00	Spring, Recoil Starter	1
4	2.10.003	Rope Ø5 × 1550	1
5	21.061001.01	Reel, Recoil Starter	1
6	45.060003.00	Spring, Ratchet	2
7	45.060002.00	Starter Ratchet, Steel	2
8	45.060009.00	Spring, Ratchet Guide	1
9	45.060007.00	Ratchet Guide	1
10	45.060008.00	Screw, Ratchet Guide	1
11	24.040004.00	Guide Plate, Push Rod	1
12	1.5789.0612	Flange Bolt M6 × 12	8
13	27.0801u0.01.48	Fan Cover, Yellow	1
14	24.091100.20	Base, Air Cleaner	1
15	21.061300.00	Handle, Recoil, Soft	1
16	24.130004.20	Gasket, Air Cleaner	1
17	22.061000.00	Recoil Assembly	1
18	27.091000.01	Air Cleaner Assembly	1
19	27.131000.01 27.131000.06	Carburetor	1
20	2.03.016	Washer Ø10 × Ø16 × 1.5, Drain Bolt	2
21	2.02.006	Nut M14 × 1.5	1
22	83.060001.01	Pulley, Starter	1
23	27.080001.00	Cooling Fan	1
24	24.120100.07	Flywheel	1
25	2.11.001	Oil Seal Ø25 × Ø41.3 × 6	2
26	2.03.020.1	Washer Ø6.2 × Ø15 × 0.5, Black	2
27	21.110100.00	Gear, Governor	1
28	23.130100.20	Choke Lever	1
29	21.110013.00	Shaft, Governor Gear	1
30	21.110011.00	Clip, Governor Gear	1
31	22.130003.00	Gasket, Carburetor	1
32	21.110012.01	Bushing, Governor Gear, Steel	1
33	24.130002.00	Gasket, Insulator	1
34	27.130001.00	Insulator, Carburetor	1
35	27.080600.01	Air Guide, Right Side	1
36	2.01.003	Stud Bolt M6 × 90	2
37	27.030100.00	Crankcase	1
38	21.127000.02	Oil Level Sensor	1
39	26.010100.01	Cylinder Head, 224cc	1
40	27.050200.00	Connecting Rod	1
41	27.050100.00	Crankshaft	1
42	1.276.6205	Bearing 6205	2
43	24.030008.00	Gasket, Crankcase Cover	1
44	46.031000.00	Oil Dipstick Assembly, Black	1
45	2 03 021 1	Washer Ø6 4 × Ø13 × 1, Black	1
46	23.030007.01	Cover, Crankcase	1
47	1.5789.0832.0.8	Flange Bolt M8 × 32	6
48	23.091002.21	Seal, Air Cleaner	1
49	23.110006.00	Rod, Governor	1
50	27.110003.00	Arm, Governor	1
51	1.6177.06	Flange Nut M6	3
52	21.110001.00	Shaft, Governor Arm	1
53	22.123000.01	Ignition Coil, Silicon Rubber	1
54	1.5789.0625	Flange Bolt M6 × 25	5
55	23.110005.01	Spring, Throttle Return	1
56	23.110007.00	Spring, Governor	1
57	2.08.040	Bolt M6 × 21, Governor Arm	1

No.	Part Number	Description	Qty
58	21.110008.00	Pin, Shaft	1
59	27.111000.20	Control Assembly	1
60	25.040013.00	Lifter, Valve	2
61	2.04.001	Dowel Pin Ø9 × 14	2
62	27.041000.00	Camshaft	1
63	2.14.012	Woodruff Key 4 × 7.5 × 19	1
64	2.08.037	Drain Bolt M10 × 1.25 × 25	2
65	27.050005.00	Piston	1
66	23.050003.00	Pin, Piston	1
67	2.09.001	Circlip Ø18 × Ø1	2
68	27.050303.00	Ring, Oil	1
69	27.050302.00	Ring, Second Piston	1
70	27.050301.00	Ring, First Piston	1
71	27.030009.01	Gasket, Cylinder Head	1
72	2.04.003	Dowel Pin Ø10 × 14	2
73	23.040002.02	Valve, Intake	1
74	23.040006.02	Valve, Exhaust	1
75	26.080400.00	Air Guide, Lower	1
76	2.15.001(F6TC)	Spark Plug F6TC	1
77	1.5789.0865	Flange Bolt M8 × 65	3
78	23.040017.00	Oil Seal, Valve, Iron	2
79	21.040003.00	Spring, Valve	2
80	21.040007.00	Retainer, Exhaust Valve Spring	1
81	21.040001.00	Retainer, Intake Valve Spring	1
82	21.040008.00	Rotator, Exhaust Valve	1
83	24.040202.00	Shaft, Rocker Arm	1
84	22.040009.00	Rocker Arm, Intake Valve	2
85	22.040012.00	Screw, Valve Adjustment	2
86	21.040021.00	Nut M6 × 0.5, Lock	2
87	1.97.1.06	Washer Ø6	2
88	1.6177.1.06	Flange Nut M6	2
89	27.131017.01 27.131017.01.01	Main Jet, Standard Main Jet, Altitude	1 /
90	24.040201.00	Retainer, Rocker Arm	1
91	23.040010.00	Bolt, Rocker Arm	2
92	27.040005.00	Push Rod	2
93	21.020002.01	Gasket, Cylinder Head Cover	1
94	24.021000.00	Cover, Cylinder Head	1
95	23.020001.02	Breather Tube	1
96	1.5789.0615	Flange Bolt M6 × 15	4
97	2.01.010	Stud Bolt M8 × 35	2
98	21.120400.00	Diode Comp	1
99	27.091200.01	Cover, Air Cleaner	1
100	23.091003.21	Element, Air Cleaner	1
101	23.091001.21	Separator, Air Cleaner	1
102	122 7 11 4	Pipe, Fuel 140	1
103	2.06.007	Clamp Ø8 × b6	2
104	152.070031.01	Sheath, Wire	1
105	2.08.121	Flange Bolt M10 × 65	1
106	1.5789.0629	Flange Bolt M6 × 29	1
107	2.04.005	Dowel Pin, Ø8 × 10	2
108	27.125100.00	Starter Motor Assembly	1
109	1.93.05	Lock Washer Ø5	2
110	1.16674.0516	Flange Bolt M5 × 16	2
111	23.125200.03	Relay, Starter	1
112	45.121000.00	Coil, Charging	1
113	23.030006.00	Plate, Coil	1

CPG4000 E1 (EU/SC) PARTS DIAGRAM



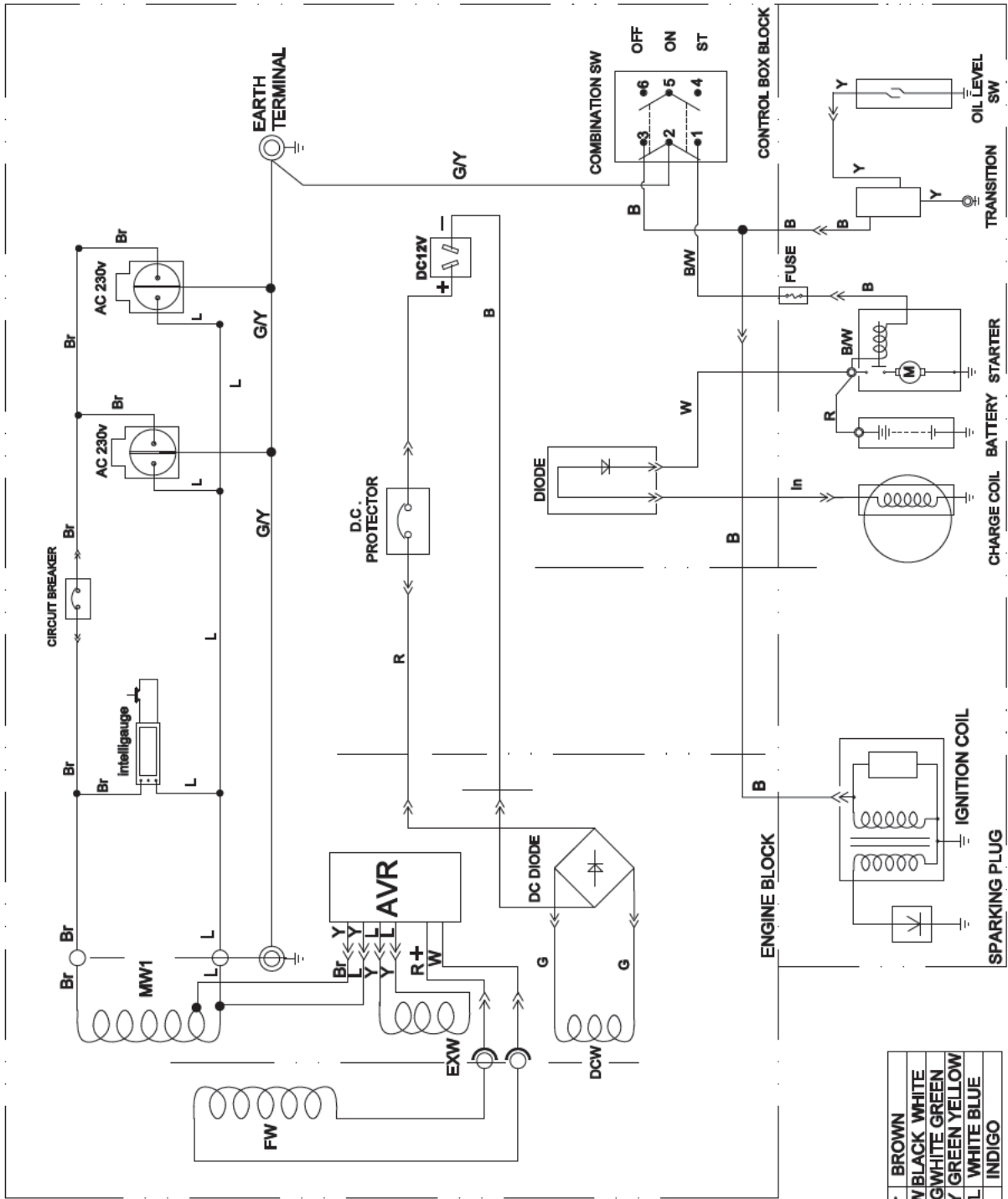
CPG4000 E1 (EU/SC) PARTS LIST

No	Part Number	Description	QTY
1	CPG4000E1-EU	Engine	1
2	122.190005.00	Rubber, Fore-Cover, B	1
3	122.190005.01	Rubber, Fore-Cover, A	1
4	124.191100.00	Rotor Assembly	1
5	2.08.022	Flange Bolt M8 x 242	1
6	124.191200.00	Stator Assembly	1
7	123.191002.00	Stator Cover	1
8	122.190002.00	End Housing	1
9	2.08.065	Flange Bolt M6 x 168	4
10	122.190300.00	Carbon Brush Assembly	1
11	122.190600.00	Diode Assembly	1
12	1.5783.0520	Bolt M5 x 20	1
13	1.93.05	Spring Washer φ5	2
14	1.5783.0516	Bolt M5 x 16	1
15	1.9074.17.0516	Screw/Washer Assembly M5 x 16	2
16	122.190200.00	AVR	1
17	1.16674.0516	Flange Bolt M5 x 16	2
18	122.190003.00.48	Generator End Cover Yellow	1
19	1.16674.0512.2	Flange Bolt M5 x 12	3
20	122.190400.00	Terminal Block	1
21	122.190004.01	Pinch	1
22	122.190018.00	Bracket,Muffler	1
23	1.16674.0820	Flange Bolt M8 x 20	3
24	122.190018.01	Bracket,Muffler	1
25	1.5789.0612	Flange Bolt M6 x 12	13
26	1.9074.4.0514	Screw And Washer Assembly M5 x 14	2
27	46.101503.08	Plate, Spark Arrester	1
28	46.101300.08	Spark Arrester Assembly	1
29	26.101000.00	Muffler	1
30	23.102000.03.2	Muffler Cover	1
31	1.6175.08	Nut M8	2
32	1.93.08	Spring Washer φ8	4
33	1.848.08	Washer φ8	2
34	21.100001.00	Muffler Gasket	1
35	23.090006.21	Holder,Air Cleaner	1
36	1.5789.0608	Flange Bolt M6 x 8	4
37	122.070011.05	Pipe,Fuel(5.5in)	1
38	2.06.007	Clamp	2
39	122.070400.03	Fuel Cock	1
40	122.071000.06.48	Fuel Tank Yellow	1
41	122.070015.01	Mount Vibration, Fuel Tank	4
42	2.03.004	Washer φ6	4
43	1.93.06	Spring Washer φ6	4
44	1.5789.0620.2	Flange Bolt M6 x 20	4
45	122.072000.02	Fuel Meter Assembly	1
46	1.819.0510	Screw M5 x 10	2

No	Part Number	Description	QTY
47	122.070300.02	Fuel Filter	1
48	122.070100.03	Fuel Tank Cap	1
49	62294.2.15.2	Frame	1
50	1.6177.1.08	Nut M8	12
51	122.201200.01	Motor Mount 1	1
52	122.201200.00	Motor Mount 2	1
53	1.5789.0835	Flange Bolt M8 x 35	2
54	1.96.08	Big Whashe φ8	2
55	152.201200.00	Motor Mount	2
56	122.201400.01	Rubber	4
57	1.6177.1.06	Nut M6	3
58	5.1900.026	Grounding Line	1
59	1.862.06	Lock Washer φ6	2
60	1.9074.3.0510	Bolt And Washer Assembly M5 x 10	2
61	1.6177.1.05	Flange Lock Nut M5	2
62	9.1000.075	Battery 12V 7.5AH	1
63	122.200901.02	Supporter,Battery	1
64	122.200902.01	Lock,Battery	1
65	1.5789.0845	Flange Bolt M8 x 45	2
66	5.1900.009	Black Wire,Battery	1
67	5.1900.010	Red Wire,Battery	1
68	152.200013.01.3	Jacket, Red	2
69	152.200013.01	Jacket, Black	1
70	122.159.9.2	Control Panel	1
71	5.1000.001.3	Switch	1
72	5.1120.013.1	Receptacle	2
73	1.819.0414.2	Screw M4 x 14	8
74	1.5783.0622.2	Bolt M6 x 22	1
75	1.6175.06.2	Nut M6	2
76	1.93.06.2	Spring Washer φ6	2
77	1.97.1.06.2	Washer φ6	2
78	5.1110.001	Receptacle (DC.12V)	1
79	5.1200.110.1	AC.10A Breaker	1
80	1.6177.1.04.2	Flange Nut M4	10
81	5.1220.130	AC.13A Breaker	1
82	1.9074.4.0306.2	Bolt and Washer Assembly M3 x 6	2
83	1.9074.4.0414.2	Bolt and Washer Assembly M4 x 14	2
84	5.1430.002	Intelligauge	1
85	5.1800.002	Rectifier	1
86	122.210002.14	Control Box	1
87	1.9074.1.0538.2	Bolt and Washer Assembly M5 x 38	3
88	122.210003.00	sheath,wire	1
89	122.210003.01	Plug, Control Box	1
90	5.1330.214	Plug	1
91	122.210003.03	Plug, End Cover	1

TECHNICAL DIAGRAMS

CPG2500 (EU/SC), CPG3500 (EU/SC) & CPG4000 E1 (EU/SC) WIRING DIAGRAM



B	BLACK	Br	BROWN
Y	YELLOW/BLACK	W	WHITE
L	BLUE	W/G	WHITE GREEN
G	GREEN	GY	GREEN YELLOW
R	RED	W/L	WHITE BLUE
W	WHITE	In	INDIGO