

# OPERATOR'S MANUAL

MODEL #CPG500111-S3-EU  
11,000W ELECTRIC START GENERATOR



REGISTER YOUR PRODUCT ONLINE

at [championpowerequipment.eu](http://championpowerequipment.eu)



[TAKEYOURGENERATOROUTSIDE.COM](http://TAKEYOURGENERATOROUTSIDE.COM)

**SAVE THESE INSTRUCTIONS.** This manual contains important safety precautions which should be read and understood before operating the product. Failure to do so could result in serious injury. This manual should remain with the product.

Specifications, descriptions and illustrations in this manual are as accurate as known at the time of publication, but are subject to change without notice.

**TAKE IT  
OUTSIDE™**



**CARBON MONOXIDE KILLS**

## CARBON MONOXIDE SAFETY: THE BIG PICTURE

As the only safe way to use a portable generator, taking your generator outside is absolutely mandatory to keep your family safe from carbon monoxide. But there's even more you can do. By educating yourself about all carbon monoxide risks, you'll be better prepared to protect your family from this colorless, odorless threat.



**ALWAYS READ  
THE OPERATOR'S  
MANUAL FIRST**



### KNOW THE SYMPTOMS

- Headache
- Nausea
- Shortness of breath
- Dizziness
- Fatigue

**STAY ALERT WITH CARBON  
MONOXIDE DETECTORS**

**KEEP IT OUTSIDE AND AWAY FROM  
DOORS, WINDOWS, AND GARAGES**

**IF YOU FEEL SYMPTOMS,  
LEAVE RIGHT AWAY**

**POINT FUMES AWAY FROM  
NEARBY PEOPLE**

[www.TakeYourGeneratorOutside.com](http://www.TakeYourGeneratorOutside.com)

<b>TABLE OF CONTENTS</b>	
<b>Introduction</b> .....	<b>4</b>
<b>Safety Definitions</b> .....	<b>4</b>
<b>Important Safety Instructions</b> .....	<b>5</b>
Fuel Safety .....	7
Safety and Dataplate Labels .....	8
Safety Symbols .....	9
Operation Symbols .....	10
Quick Start Label Symbols .....	11
<b>Controls and Features</b> .....	<b>12</b>
Generator .....	12
Control Panel .....	13
Intelligauge with Power Meter .....	14
Parts Included .....	15
<b>Assembly</b> .....	<b>16</b>
Install the Wheel Kit .....	16
Connect the Battery .....	16
Add Engine Oil .....	16
Add Fuel .....	18
Grounding .....	19
<b>Operation</b> .....	<b>20</b>
Generator Location .....	20
Surge Protection .....	20
Starting the Engine: No ATS or ATS on Manual Mode .....	20
Starting the Engine: ATS on Automatic Mode .....	21
Battery .....	22
Connecting Electrical Loads .....	22
Do Not Overload Generator .....	23
Box System ATS User Manual .....	23
Stopping the Engine: No ATS or ATS on Manual Mode .....	25
Stopping the Engine: ATS on Automatic Mode .....	25
Moving the Generator .....	25
Operation at High Altitude .....	26
<b>Maintenance</b> .....	<b>26</b>
Cleaning the Generator .....	26
Changing Engine Oil and Filter .....	26
Cleaning and Adjusting the Spark Plugs .....	27
Cleaning the Air Filter .....	27
Cleaning the Spark Arrestor .....	28
Replacing Fuel Filter .....	28
Adjusting the Governor .....	28
Generator Battery .....	29
Maintenance Schedule .....	29
<b>Storage</b> .....	<b>29</b>
Short Term Storage (30 days – 1 year) .....	29
Long Term Storage (over 1 year) .....	30
Removing from Storage .....	30
<b>Specifications</b> .....	<b>31</b>
Generator Specifications .....	31
Engine Specifications .....	31
Oil Specifications .....	31
Fuel Specifications .....	31
Battery Specifications .....	31
Temperature Specifications .....	31
Figure A Parts Diagram .....	32
Figure A Part List .....	33
Figure B Engine Parts Diagram .....	35
Figure B Engine Part List .....	36
Wiring Diagram .....	39
<b>Troubleshooting</b> .....	<b>40</b>
<b>WARRANTY*</b> .....	<b>41</b>
Warranty Qualifications .....	41
Repair/Replacement Warranty .....	41
Do Not Return The Unit To The Place Of Purchase .....	41
Warranty Exclusions .....	41
Other Exclusions .....	41
Limits of Implied Warranty and Consequential Damage .....	41
Contact Information .....	41

## INTRODUCTION

Congratulations on your purchase of a Champion Power Equipment (CPE) product. CPE designs, builds, and supports all of our products to strict specifications and guidelines. With proper product knowledge, safe use, and regular maintenance, this product should bring years of satisfying service.

Every effort has been made to ensure the accuracy and completeness of the information in this manual at the time of publication, and we reserve the right to change, alter and/or improve the product and this document at any time without prior notice.

CPE highly values how our products are designed, manufactured, operated, and serviced as well as providing safety to the operator and those around the generator. Therefore, it is **IMPORTANT** to review this product manual and other product materials thoroughly and be fully aware and knowledgeable of the assembly, operation, dangers and maintenance of the product before use. Fully familiarize yourself, and make sure others who plan on operating the product fully familiarize themselves too, with the proper safety and operation procedures before each use. Please always exercise common sense and always err on the side of caution when operating the product to ensure no accident, property damage, or injury occurs. We want you to continue to use and be satisfied with your CPE product for years to come.

When contacting CPE about parts and/or service, you will need to supply the complete model and serial numbers of your product. Transcribe the information found on your product's nameplate label to the table below

<b>CPG TECHNICAL SUPPORT TEAM</b>
<b>MODEL NUMBER</b>
CPG500111-S3-EU
<b>SERIAL NUMBER</b>
<b>DATE OF PURCHASE</b>
<b>PURCHASE LOCATION</b>

## SAFETY DEFINITIONS

The purpose of safety symbols is to attract your attention to possible dangers. The safety symbols, and their explanations, deserve your careful attention and understanding. The safety warnings do not by themselves eliminate any danger. The instructions or warnings they give are not substitutes for proper accident prevention measures.

### **DANGER**

DANGER indicates a hazardous situation which, if not avoided, will result in death or serious injury.

### **WARNING**

WARNING indicates a hazardous situation which, if not avoided, could result in death or serious injury.

### **CAUTION**

CAUTION indicates a hazardous situation which, if not avoided, could result in minor or moderate injury.

### **NOTICE**

NOTICE indicates information considered important, but not hazard-related (e.g., messages relating to property damage).

## IMPORTANT SAFETY INSTRUCTIONS

### **⚠ DANGER**

Generator exhaust contains carbon monoxide, a colorless, odorless, poisonous gas. Breathing carbon monoxide will cause nausea, dizziness, fainting or death. If you start to feel dizzy or weak, get to fresh air immediately.

#### **OPERATE GENERATOR OUTDOORS ONLY IN A WELL VENTILATED AREA AND POINT EXHAUST AWAY.**

DO NOT operate the generator inside building, including garages, basements, crawlspaces, sheds or enclosure or compartment, vehicles and(or) including the generator compartment of a recreational vehicle.

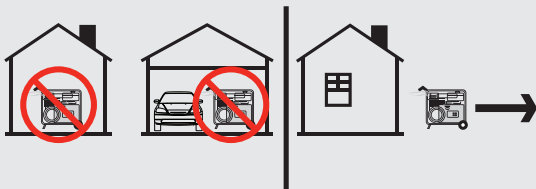
DO NOT allow exhaust fumes to enter a confined area through windows, doors, vents or other openings.

### **⚠ DANGER**

Using a generator indoors **CAN KILL YOU IN MINUTES**. Generator exhaust contains carbon monoxide. This is a poison you cannot see or smell.

**NEVER** use inside a home or garage or any out buildings, **EVEN IF** doors and windows are open.

**ONLY** use **OUTSIDE** and far away from windows, doors, and vents.



Install battery-operated carbon monoxide alarms or plug-in carbon monoxide alarms with battery back-up according to the manufacturer's instructions.

### **⚠ DANGER**

Tampering with the CO Shield® system will result in a hazardous condition and will void your warranty.

Removing the CO Shield® module will not allow the generator to start.

### **⚠ DANGER**

Operate equipment with guards in place.

Rotating parts can entangle hands, feet, hair, clothing and/or accessories. Traumatic amputation or severe laceration can result.

Keep hands and feet away from rotating parts.

Tie up long hair and remove jewelry.

DO NOT wear loose-fitting clothing, dangling drawstrings or items that could become caught.

### **⚠ DANGER**

Generator produces powerful voltage.

DO NOT touch bare wires or live sockets.

DO NOT use electrical cords that are worn, damaged or frayed. Use only Champion electrical cords for proper application.

DO NOT operate generator in wet weather including rain or snow.

DO NOT allow children or unqualified persons to operate or service the generator.

Use a ground fault circuit interrupter (GFCI) in damp areas and areas containing conductive material such as metal decking.

Connection to your home's electrical system requires a listed 100A transfer switch installed by a licensed electrician and approved by the local authority having jurisdiction. The connection must isolate the generator from the utility power and must comply with all applicable laws and electrical codes.

### **⚠ WARNING**

Do not use generator for medical and life support uses.

In case of emergency, call emergency services immediately.

**NEVER** use this product to power life support devices or life support appliances.

**NEVER** use this product to power medical devices or medical appliances.

Inform your electricity provider immediately if you or anyone in your household depends on electrical equipment to live.

Inform your electrical provider immediately if a loss of power would cause you or anyone in your household to experience a medical emergency.

**⚠ WARNING**

Spark from removed spark plug wire can result in fire or electrical shock.

**When servicing the generator:**

Disconnect the spark plug wire and place it where it cannot contact the plug or any other metal object.

DO NOT check for spark with the plug removed.

Use only approved spark plug testers.

**⚠ WARNING**

Running engines produce heat. Severe burns can occur on contact. Combustible material can catch fire on contact.

DO NOT touch hot surfaces like engine or muffler/exhaust, always allow to cool for minimum 30mins.

Avoid contact with hot exhaust gases.

Allow equipment to cool min 30 mins before touching or handling.


Maintain at least 3 ft. (91.4 cm) of clearance on all sides to ensure adequate cooling.

Maintain at least 5 ft. (1.5 m) of clearance from combustible materials.

**⚠ WARNING**

Rapid retraction of the recoil cord will pull hand and arm towards the engine faster than you can let go. Broken bones, fractures, bruises or sprains could result. Unintentional startup can result in entanglement, traumatic amputation or laceration.

**⚠ CAUTION**

When starting the engine, pull the recoil cord slowly until resistance is felt, release  and back and use one strong rapid pull to start, this avoids any kickback or damage to the recoil assembly. Rigorously pulling will result in damage to the recoil assembly and void any warranty.

**⚠ WARNING**

Although the generator contains a spark arrester, maintain a minimum distance of 5 ft. (1.5 m) from dry vegetation to prevent fires.

**⚠ CAUTION**

Exceeding the generator's running capacity can damage the generator and/or electrical devices connected to it.

DO NOT overload the generator.

DO NOT tamper with the governed speed.

DO NOT modify the generator in any way.

Do Not install or modify the exhaust/muffler with any extension or extraction, by doing so will void any warranty offered

**⚠ CAUTION**

Start the generator and allow the engine to stabilize before connecting electrical loads.

Connect electrical equipment in the off position, and then turn them on for operation.

Turn electrical equipment off and disconnect before stopping the generator.

**⚠ CAUTION**

Improper treatment or use of the generator can damage it, shorten its life or void the warranty.

Use the generator only for intended uses.

Operate only on Flat level surfaces.

DO NOT expose generator to excessive moisture, dust, or dirt.

DO NOT allow any material to block the cooling slots.

If connected devices overheat, turn them off and disconnect them from the generator.

**DO NOT use the generator if:**

- Electrical output is lost
- Equipment sparks, smokes or emits flames
- Equipment vibrates excessively

**⚠ CAUTION**

Improper treatment or use of the generator can damage it, shorten its life or void the warranty.

Use the generator only for intended uses.

Operate only on level surfaces.

DO NOT expose generator to excessive moisture, dust, or dirt.

DO NOT allow any material to block the cooling slots.

If connected devices overheat, turn them off and disconnect them from the generator.

**DO NOT use the generator if:**

- Electrical output is lost
- Equipment sparks, smokes or emits flames
- Equipment vibrates excessively

**Fuel Safety****⚠ DANGER**

**PETROL AND PETROL VAPORS ARE HIGHLY FLAMMABLE AND EXPLOSIVE.**

Fire or explosion can cause severe burns or death.

**Petrol and petrol vapors:**

- Petrol is highly flammable and explosive.
- Petrol can cause a fire or explosion if ignited.
- Petrol is a liquid fuel but it's vapors can ignite.
- Petrol is a skin irritant and needs to be cleaned up immediately if spilled on skin or clothes.
- Petrol has a distinctive odor, this will help detect potential leaks quickly.
- Petrol expands or contracts with ambient temperatures. Never fill the fuel tank to full capacity, as petrol needs room to expand when temperatures rise.
- In the case of any petroleum petrol fire, flames should never be extinguished unless the fuel supply valve can be turned OFF. By not doing so, if a fire is extinguished and the supply of fuel is not turned OFF, an explosion hazard could be created.

**When adding or removing petrol:**

DO NOT light or smoke cigarettes.

Turn the generator off and let cool for at least two minutes before removing the fuel cap. Always loosen the cap slowly to relieve pressure in the tank.

Only fill or drain petrol outdoors in a well-ventilated area.

DO NOT pump petrol directly into the generator at the filling station. Always use an approved container to transfer the fuel to the generator.

DO NOT overfill the fuel tank.

Always keep petrol away from sparks, open flames, pilot lights, heat and other sources of ignition.

**When starting the generator:**

DO NOT attempt to start a damaged generator.

Always check that the fuel cap, air filter, spark plug, fuel lines and exhaust system are properly in place.

Always allow spilled petrol to evaporate fully before attempting to start the engine.

Always be certain that the generator is resting firmly on flat level ground.

**When operating the generator:**

DO NOT move, angle or tip the generator during operation.

**When transporting or servicing the generator:**

Always check that the fuel valve is in the OFF position and the fuel tank is empty.

Disconnect the spark plug wire.

**When storing the generator:**

Store away from sparks, open flames, pilot lights, heat and other sources of ignition.

Do not store generator or petrol near furnaces, water heaters, or any other appliances that produce heat or have automatic ignitions.

**⚠ DANGER**

NEVER place a petrol container, fuel tank, LPG cylinder or any combustible material in the path of the exhaust stream during operation of the engine.

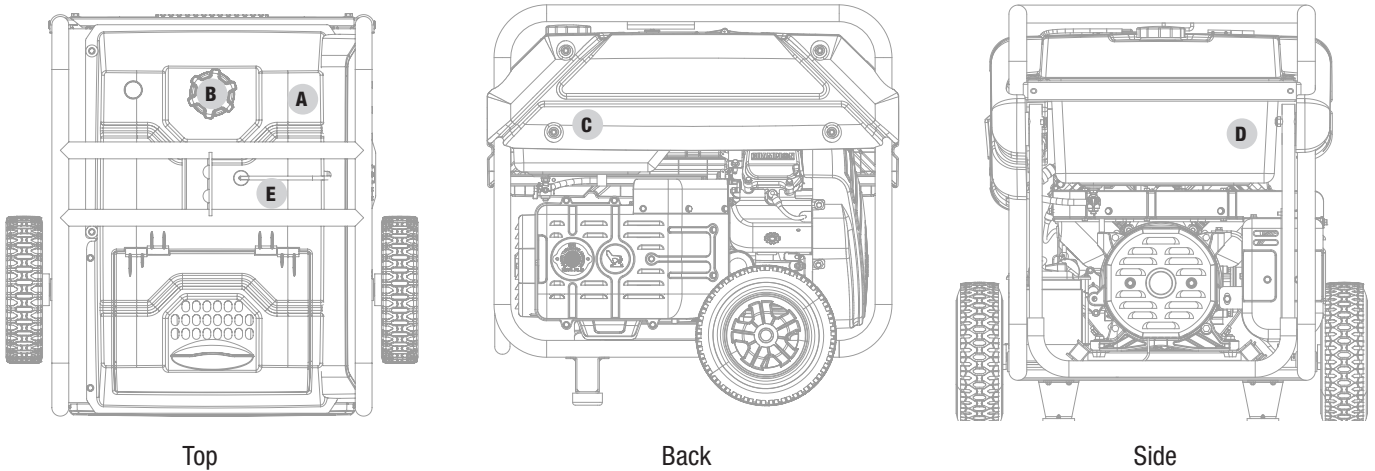
**⚠ WARNING**

Never use a petrol container, fuel tank, or any other fuel item that is broken, cut, torn or damaged.

### Safety and Dataplate Labels

These labels warn you of potential hazards that can cause serious injury. Read them carefully.

If a label comes off or becomes hard to read, contact Technical Support Team for possible replacement.












	LABEL	DESCRIPTION				
A		Safety Symbols/ CO Danger				
B		Fuel				
C		Hot Surface				
D	<table border="1"> <tr> <td colspan="2"> <b>CHAMPION POWER EQUIPMENT, INC.</b>                      12039 SMITH AVENUE                      SANTA FE SPRINGS, CA 90670                      USA / É.-U.                      MADE IN CHINA                      Low Power Generating Set                 </td> <td>                     FREQUENCY (Hz) <b>50</b>                      RPM <b>3600</b>                      PHASE <b>Single-3</b>                      POWER FACTOR <b>1.0</b>                      RATED VOLTAGE <b>220V/400V</b>                      AC AMPS <b>45.4A/26.3A</b> </td> <td>                     Net Weight <b>147.8 kg</b>                      Quality Class <b>A</b>                      MAX AMBIENT TEMP <b>104°F/40°C</b>                      INSULATION CLASS <b>B</b>                      Rated Output <b>COP-10 kW</b>                      Max Power <b>11kW S2 5min</b> </td> </tr> </table>	<b>CHAMPION POWER EQUIPMENT, INC.</b> 12039 SMITH AVENUE SANTA FE SPRINGS, CA 90670 USA / É.-U. MADE IN CHINA Low Power Generating Set		FREQUENCY (Hz) <b>50</b> RPM <b>3600</b> PHASE <b>Single-3</b> POWER FACTOR <b>1.0</b> RATED VOLTAGE <b>220V/400V</b> AC AMPS <b>45.4A/26.3A</b>	Net Weight <b>147.8 kg</b> Quality Class <b>A</b> MAX AMBIENT TEMP <b>104°F/40°C</b> INSULATION CLASS <b>B</b> Rated Output <b>COP-10 kW</b> Max Power <b>11kW S2 5min</b>	Dataplate
<b>CHAMPION POWER EQUIPMENT, INC.</b> 12039 SMITH AVENUE SANTA FE SPRINGS, CA 90670 USA / É.-U. MADE IN CHINA Low Power Generating Set		FREQUENCY (Hz) <b>50</b> RPM <b>3600</b> PHASE <b>Single-3</b> POWER FACTOR <b>1.0</b> RATED VOLTAGE <b>220V/400V</b> AC AMPS <b>45.4A/26.3A</b>	Net Weight <b>147.8 kg</b> Quality Class <b>A</b> MAX AMBIENT TEMP <b>104°F/40°C</b> INSULATION CLASS <b>B</b> Rated Output <b>COP-10 kW</b> Max Power <b>11kW S2 5min</b>			
E		Lifting				






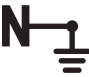



## Safety Symbols

Some of the following symbols may be used on this product. Please study them and learn their meaning. Proper interpretation of these symbols will allow you to more safely operate the product.

SYMBOL	MEANING
	<b>Caution.</b>
	<b>Read The Operator's Instruction Manual Before Use.</b> To reduce the risk of injury, user must read and understand operator's manual before using this product.
	<b>Not For General Waste Disposal.</b>
	The generating set must not be connected to other power sources, such as the power company supply mains.
	<b>Electric Hazard.</b> Failure to use in dry conditions and to observe safe practices can result in electric shock. Improper connections to a building can allow current to backfeed into utility lines, creating an electrocution hazard. A transfer switch must be used when connecting to a building.
	<b>Fire Hazard.</b> Fuel and its vapors are extremely flammable and explosive. Fire or explosion can cause severe burns or death. Keep generator at least 5 feet (1.5m) from all objects to prevent combustion.
	<b>Risk Of Being Burnt.</b> To reduce the risk of injury or damage, avoid contact with any hot surface.
	<b>Carbon Monoxide(co) Danger.</b>
	<b>Wet Conditions Alert.</b> Do not expose to rain or use in damp locations except as follows: If you must operate in rain or damp locations, DO NOT operate without proper protection of the electrical components. Use of a safety canopy that is fire retardant and will provide proper air ventilation for the engines exhaust stream can be used. Keep all objects a minimum of 5 feet (1.5m) away from the generator at all times. Heat from the muffler surface and exhaust stream can ignite combustible materials.

## Operation Symbols

Some of the following symbols may be used on this product. Please study them and learn their meaning. Proper interpretation of these symbols will allow you to more safely operate the product.

SYMBOL	MEANING
	<b>Circuit Breaker: On</b>
	<b>Circuit Breaker: Off</b>
	<b>Circuit Breaker Reset: Flip</b>
	<b>Neutral Bonded to Frame.</b> Neutral circuit <b>IS</b> electrically connected to the frame/ground of the generator.
	<b>Ground Terminal</b>
	<b>Petrol Tank: Full</b>
	<b>Petrol Tank: Empty</b>

## Quick Start Label Symbols



Some of the following symbols may be used on this product. Please study them and learn their meaning. Proper interpretation of these symbols will allow you to more safely operate the product.



### Starting the Engine

#### **⚠ DANGER**

Move generator outside and far away from windows, doors and any intake ventilation covers.

1. **Check oil level.**  
Recommended oil is 10W-30. 
2. **Check petrol level.**  
When adding petrol, use a minimum octane rating of 85 and an ethanol content of 10% or less by volume. 
3. Turn the **fuel dial** to “ON” position.
4. Press **ignition switch** to enter standby mode.
5. Press the **ignition switch** to start the engine.
6. Plug in desired device.

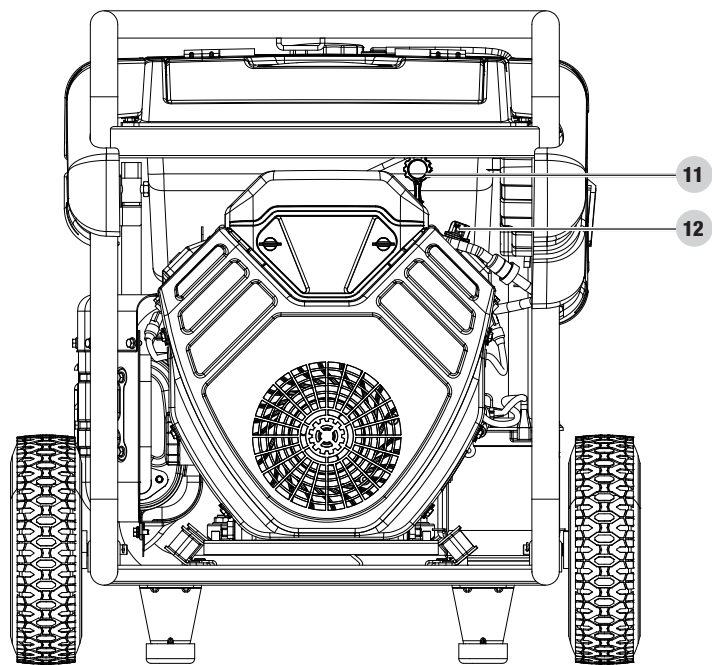
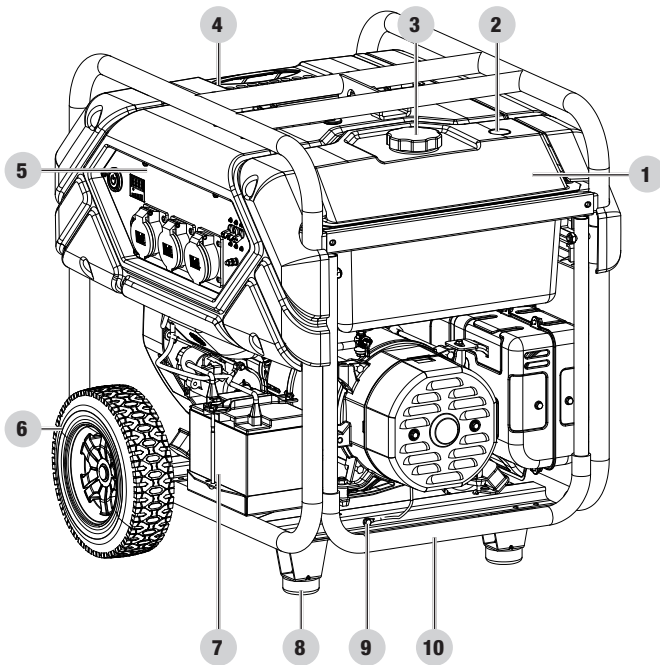
### Stopping the Engine

1. Turn off and unplug all connected electrical loads.
2. Turn the **fuel dial** to the “OFF” position.
3. Press the **ignition switch** to enter power-off mode.

## CONTROLS AND FEATURES

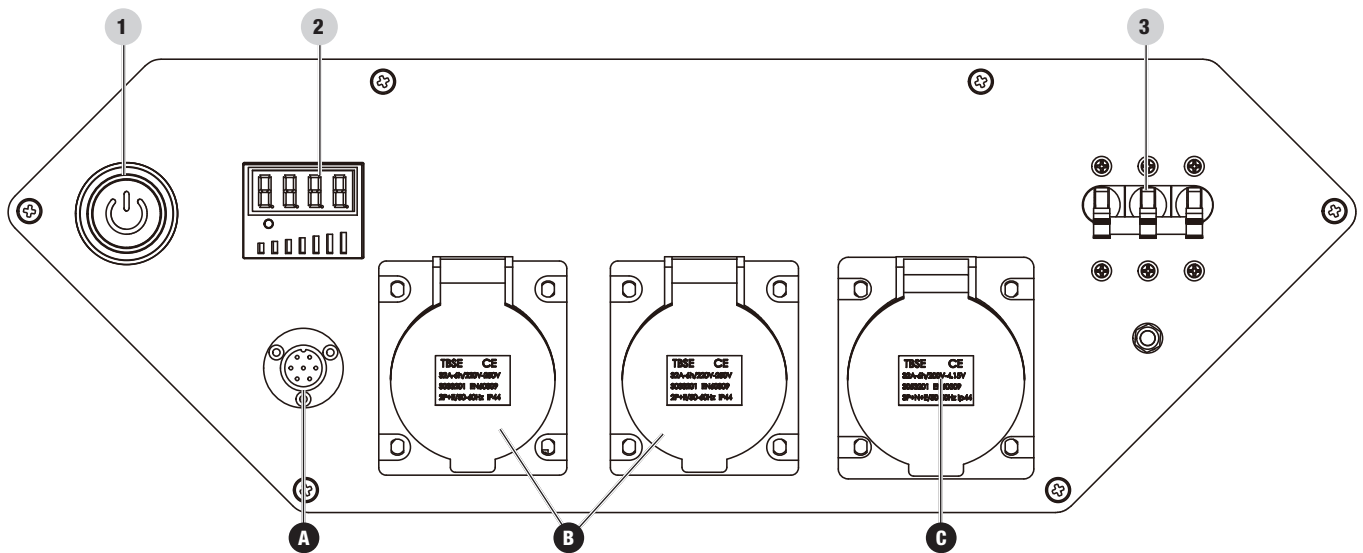
Read this operator's manual before operating your generator. Familiarize yourself with the location and function of the controls and features. Save this manual for future reference.

### Generator



1. **Petrol Tank** – 11 gal. (42.00 L)
2. **Petrol Gauge**
3. **Fuel Cap** – Remove to add fuel.
4. **Engine Access Cover**
5. **Control Panel** – See *Control Panel* section.
6. **Never Flat Wheels** – 12 in. (30.5 cm)
7. **Battery** – Provides 12V DC power to the starting system.
8. **Support Leg**
9. **Ground Terminal** – Consult an electrician for local grounding regulations.
10. **Folding Handle** – Used to move unit by lifting and rolling on wheels. Do not use to lift or carry the unit.
11. **Dipstick** – Used to check oil level.
12. **Oil Fill Cap** – Used to fill oil.

## Control Panel



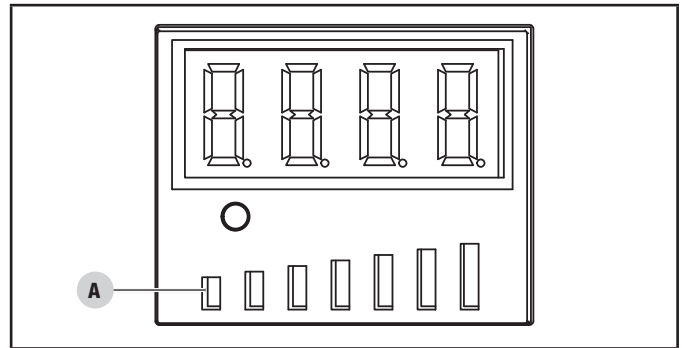
1. **Ignition Switch** – Used to START or STOP the generator.
2. **Intelligauge with Power Meter** – See *Intelligauge* section.
3. **Circuit Breakers (Flip Reset)** – Protects the generator against electrical overloads.

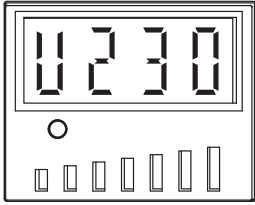
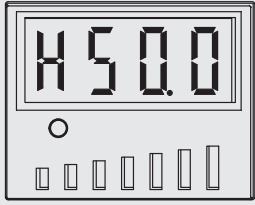
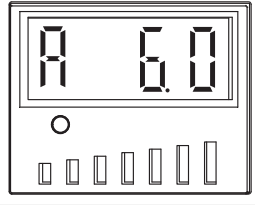
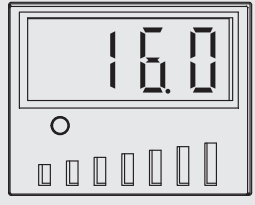
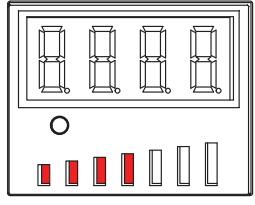
RECEPTACLES		
<b>A</b>		<b>ATS PORT</b> Used to transmit control signals with ATS.
<b>B</b>		<b>230V AC, 16A(x2)</b> May be used to supply electrical power for operation of 230 Volt AC, 16 Amp, single phase, 50 Hz electrical loads.
<b>C</b>		<b>400V AC, 16A</b> May be used to supply electrical power for operation of 400 Volt AC, 16 Amp, single phase, 50 Hz electrical loads.

### Intelligauge with Power Meter

Five mode digital meter for displaying voltage, frequency, session run time, total run time, and power output.

**A. Power Meter**

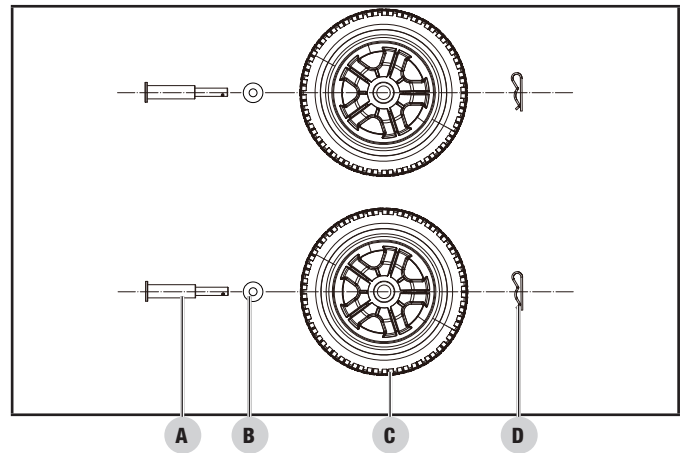
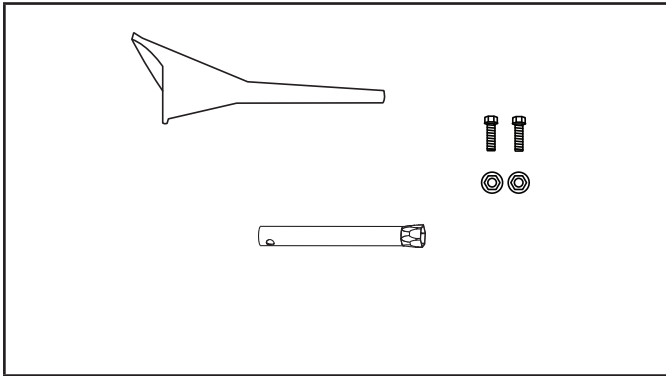


MODE	DESCRIPTION	
Voltage (V)	Output voltage of the generator.	
	Example: 230 volts	
Frequency (H)	Output frequency in hertz.	
	Example: 50.0 hertz	
Run Time (R)	Run time of the generator for the current session.	
	Example: 6 hours	
Total Run Time	Total run time of the generator since first operation.	
	Example: 16 hours	
Power Meter	Power Output percentage.	
	Example: 50% Output	

### Parts Included

#### Accessories

Spark Plug Socket .....	1
Oil Funnel .....	1
Flange bolt M5x12 for battery .....	2
Flange lock nut M5 .....	2



#### Assembly Parts

##### Wheels

Roll Pin (A) .....	2
Washer Ø12 (B) .....	2
12 in. (30.5 cm) Never Flat Wheel (C) .....	2
Large R-clip (D) .....	2

## ASSEMBLY

Your generator requires some assembly. This unit ships from our factory without oil. It must be properly serviced with fuel and oil before operation.

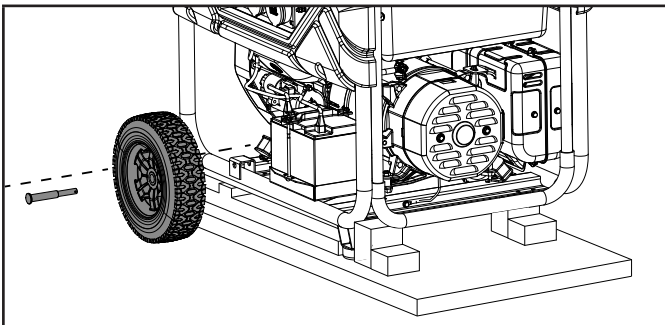
### Install the Wheel Kit

#### CAUTION

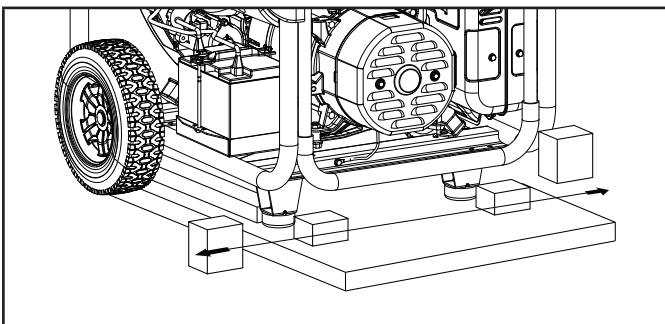
The wheel kit is not intended for over-the-road use.

#### Install the Wheels

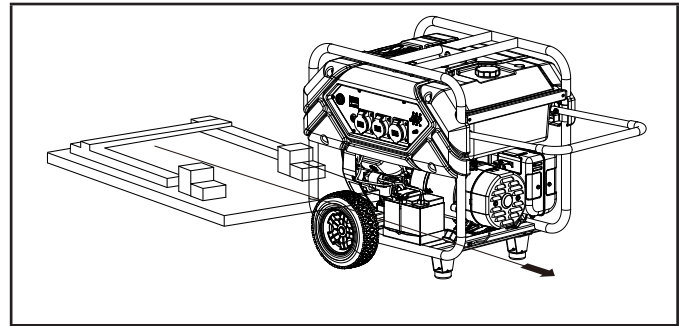
1. Make sure all items have been removed from the shipping carton/pallet and double check for any items that may be in the generator frame.
2. With the generator still on the pallet install the wheel.
3. Slide the wheel pin roll through the wheel from the outside.
4. Slide the wheel pin roll through the mount point on the frame.
5. Secure with the R-Pin.
6. Install wheel hub cap onto wheel.



7. Repeat steps 2-6 to attach the second wheel.
8. Remove wooden blocks from in front of the frame and the support leg.



9. Raise handle and pull generator forward until wheels touch the ground. Then pull generator out from wood pallet.



### Connect the Battery

1. Remove the protective cover from the red (+) lead on the battery.
2. Attach the red (+) lead to the red (+) terminal on the battery with the cap screw (M5x12) and secure with the lock washer (M5).
3. Repeat steps 1-2 for the black (-) battery lead.



### Add Engine Oil

#### WARNING

DO NOT attempt to crank or start the engine before it has been properly filled with the recommended type and amount of oil. Damage to the generator as a result of failing to follow these instructions will void your warranty.

#### NOTICE

The generator rotor has a sealed, pre-lubricated ball bearing that requires no additional lubrication for the life of the bearing.

#### NOTICE

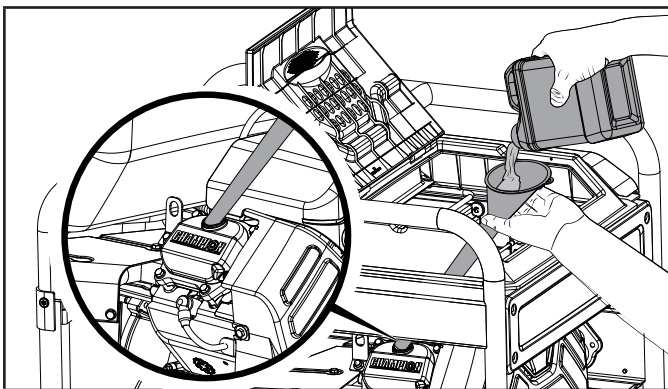
The recommended oil type for typical use is **10W-30 automotive oil**. However, using the listed conventional oils shown in the "Recommended Engine Oil Type" chart may be used for typical use including the first 5 hours of the break-in run time period of the engine.

If running generator in extreme temperatures, refer to the "Recommended Engine Oil Type" chart.



Recommended Engine Oil Type								
		10W-30						
		5W-30			10W-40			
		5W-30 Full Synthetic						
°F	-20	0	20	40	60	80	100	120
°C	-28.9	-17.8	-6.7	4.4	15.6	26.7	37.8	48.9
	Ambient temperature							

1. Place the generator on a flat level surface. Do Not angle or tip the generator when adding oil.
2. Open the engine access cover.
3. Remove yellow cap on cylinder head cover on left side of engine.
4. Using funnel fill to full mark on dipstick. **DO NOT OVERFILL.**  
Volume for first use or oil change without oil filter change: 33.8 fl. oz. (1000 ml).  
Volume after oil and oil filter change: 44 fl. oz. (1300 ml).

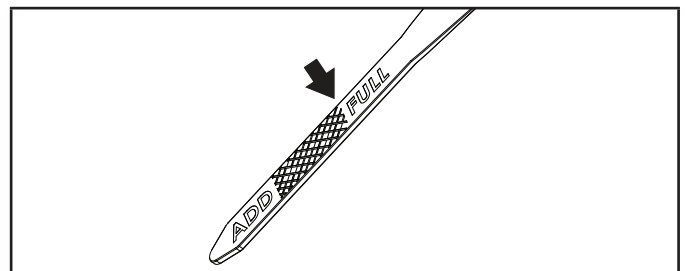
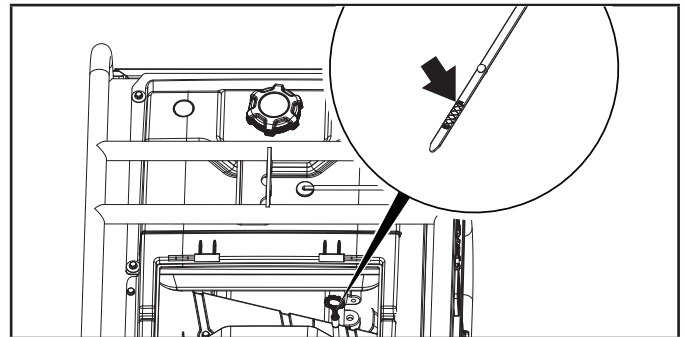


**NOTICE**

When using the dipstick to check oil level, **DO NOT** screw in the dipstick while checking, simply rest it against the top of the port.

As a general rule oil is full when it can be seen visually on the middle to upper threads of the port. Do Not angle or tip the generator when adding oil.

5. Pull out dipstick and check engine oil level. Add as needed. **DO NOT OVERFILL.**



6. Replace dipstick.
7. Close engine access cover.

**NOTICE**

Check oil level often during the break-in period. Refer to the Maintenance section for recommended service intervals.

**CAUTION**

This engine is equipped with a low oil shut-off and will stop when the oil level in the crankcase falls below the threshold level.

**NOTICE**

The first 5 hours of run time are the break-in period for the unit. During the break in period stay at or below 50% of the running watt rating and vary the load occasionally to allow stator windings to heat and cool. Adjusting the load will also cause engine speed to vary slightly and help seat piston rings. After the 5 hour break-in period, change the oil.

**NOTICE**

Synthetic oil may be used after the 5 hour initial break-in period. Using synthetic oil does not decrease the recommended oil change interval. Full synthetic 10W-30 oil will aid in starting in cold ambient < 41° F (5° C) temperatures.

**Add Fuel** ** DANGER**

Petrol vapors are highly flammable and extremely explosive.

DO NOT light or smoke cigarettes. Fire or explosion can cause severe burns or death.

Only fill or drain fuel outdoors in a well-ventilated area. DO NOT pump petrol directly into the generator. Use an approved container to transfer the fuel to the generator.

Never use a gasoline container, fuel tank, or any other fuel item that is broken, cut, torn or damaged.

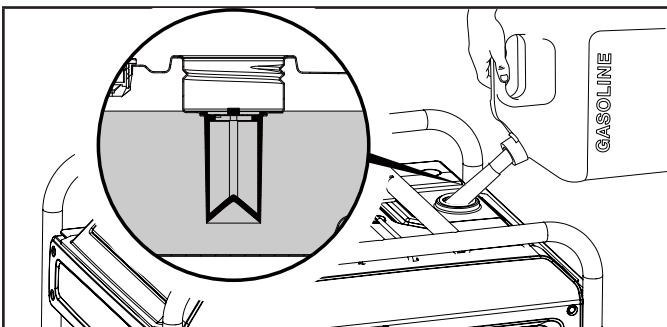
DO NOT overfill the fuel tank. Always keep fuel away from sparks, open flames, pilot lights, heat and other sources of ignition.

Use clean, fresh, regular unleaded petrol with a minimum octane rating of 85 and an ethanol content of 10% or less by volume.

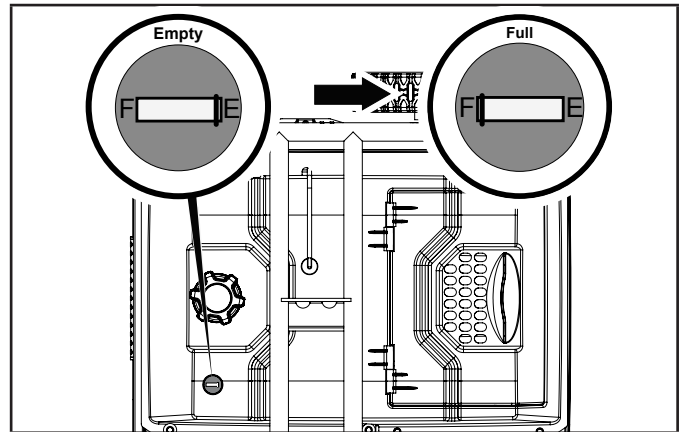


DO NOT mix oil with petrol.

1. Remove the fuel cap.
2. Slowly add petrol to the tank. Tank is full when petrol reaches red circle on screen. DO NOT OVERFILL. Petrol can expand after filling. A minimum of ¼ in. (6.4 mm) of space left in the tank is required for petrol expansion, although more than ¼ in. (6.4 mm) is recommended. Petrol can be forced out of the tank as a result of expansion if overfilled, and can affect the stable running condition of the generator.




3. The approximate fuel level is shown on the fuel gauge on top of the fuel tank.



4. Screw on the fuel cap and wipe away any spilled fuel.

** CAUTION**

Use unleaded petrol with a minimum octane rating of 85 and an ethanol content of 10% or less by volume. 

DO NOT light cigarettes or smoke when filling the tank.

DO NOT mix oil and petrol, this is a four stroke engine with separate oil and petrol.

DO NOT overfill the tank. Fill tank to approximately ¼ in. (6.4 mm) below the top of the tank to allow for petrol expansion.

DO NOT pump petrol directly into the generator at the pump. Use an approved fuel container to transfer the petrol to the generator.

DO NOT fill fuel tank indoors, in garages, in sheds or in any out building.

DO NOT fill tank when the engine is running or hot, always allow engine to cool minimum 30 mins before refueling.

** WARNING**

Pouring petrol too fast through the fuel screen may result in gasoline splashing over the generator and operator while filling.

**NOTICE**

The generator engine works well with 10% or less ethanol blended petrol. When using ethanol-petrol blends there are some issues worth noting:

- Ethanol-petrol blends can absorb more water than petrol alone.
- These ethanol blends can eventually separate, leaving water or a watery goo in the tank, fuel valve and carburetor. The compromised petrol can be drawn into the carburetor and cause damage to the engine and/or create potential hazards.
- If a fuel stabilizer is used, confirm that it is formulated to work with ethanol-petrol blends.
- Any damages or hazards caused by using ethanol blended petrol higher than 10% by volume, improperly stored petrol, and/or improperly formulated stabilizers, are not covered by manufacturer's warranty.

It is advisable to always shut off the petrol supply and run the engine to starvation after each use. See Storage instructions for extended non-use.

**Neutral Bonded to Frame\***

- Neutral circuit **IS** electrically connected to the frame/ground of the generator.
- The generator system ground connects lower frame cross-member below the alternator. The system ground is connected to the AC neutral wire.

\*See your Specifications section for specified type of grounding.

**Grounding**

It is recommended your generator is properly connected to an appropriate ground to help prevent electric shock.

**WARNING**

Failure to properly ground the generator can result in electric shock.

A ground terminal connected to the frame of the generator has been provided (see Controls and Features for terminal location). For remote grounding, connect a length of heavy gauge (12 AWG minimum) copper wire between the generator ground terminal and a copper rod driven into the ground. We strongly recommend that you consult with a qualified electrician to ensure compliance with local electrical codes.

**Neutral Floating\***

- Neutral circuit **IS NOT** electrically connected to the frame/ground of the generator.
- The generator (stator winding) is isolated from the frame and from the AC receptacle ground pin.
- Electrical devices that require a grounded receptacle pin connection will not function if the receptacle ground pin is not functional.

## OPERATION

### Generator Location

#### **⚠ WARNING**

NEVER operate the generator inside any building, garage, basement, crawlspace, shed, enclosure or compartment, including a generator compartment of a recreational vehicle.

NEVER operate or start the generator in the back of an SUV, camper, trailer, truck bed (regular sides, flat or other configuration), under staircases, stairwells, next to walls or buildings or in any other location that will not allow for adequate cooling of the generator or for the proper exit of the exhaust flow from the muffler system.

DO NOT operate or store the generator in wet weather conditions such as rain or snow. Using a generator in wet conditions could result in serious injury or death due to electrocution.

In some state's generators may be required to be registered with the local utility company when used at construction sites and may be subject to additional rules and regulations, consult your local municipal authority.

Generators should always be operated on a flat, level surface at all times (even when not in operation).

Generators must have a minimum of 5 feet (1.5 m) of clearance from all combustible material.

Generators must also have a minimum of 3 feet (91.4 cm) of air flow clearance on all sides to allow for adequate performance cooling, maintenance and servicing.

Always place the generator in a well-ventilated area. NEVER place the generator near air intake vents or where exhaust fumes could be drawn into occupied or confined spaces.

Always carefully consider wind and air currents when positioning generator.

Always allow generators to properly cool before transport or for storage purposes.

Failure to follow proper safety precautions may result in personal injury, damage to the generator and void the manufacturer's warranty.

#### **⚠ WARNING**

During operation the muffler and exhaust fumes will become hot. If adequate cooling and breathing space are not supplied, or if the generator is blocked or enclosed, temperatures can become extremely heated and may lead to fire.

#### **⚠ WARNING**

Do not expose to rain or use in damp locations.

Keep all objects a minimum of 5 feet (1.5m) away from the generator at all times. Heat from the muffler surface and exhaust gas stream can ignite combustible materials.

#### **⚠ WARNING**

If you must operate in rain or damp locations, DO NOT operate without proper protection of the electrical components.

Use of a safety canopy that is fire retardant and will provide proper air ventilation for the engine exhaust gas stream may be used.

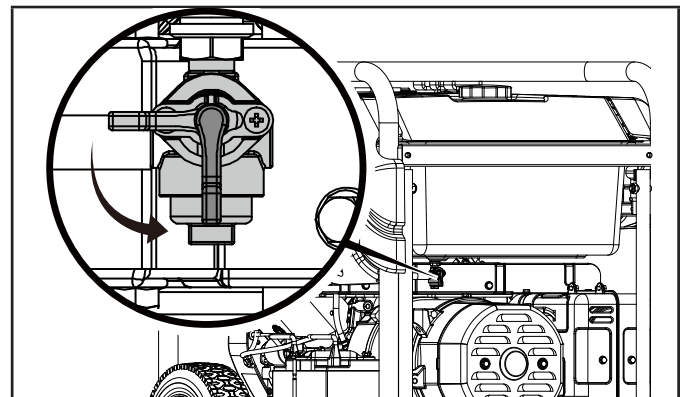
### Surge Protection

Electronic devices, including computers and many programmable appliances use components that are designed to operate within a narrow voltage range and may be affected by momentary voltage fluctuations. While there is no way to prevent voltage fluctuations, you can take steps to protect sensitive electronic equipment.

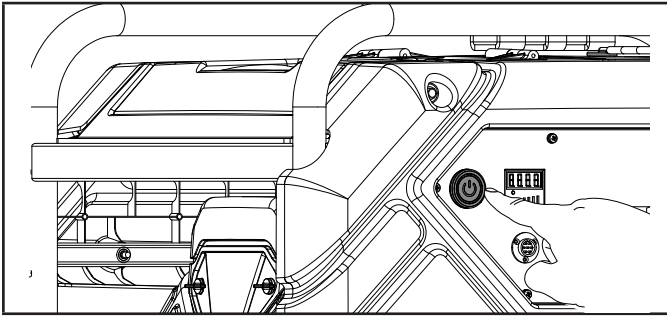
- Install UL1449, CSA-listed, plug-in surge suppressors on the outlets feeding your sensitive equipment. Surge suppressors come in single- or multi-outlet styles. They're designed to protect against virtually all short-duration voltage fluctuations.

### Starting the Engine: No ATS or ATS on Manual Mode

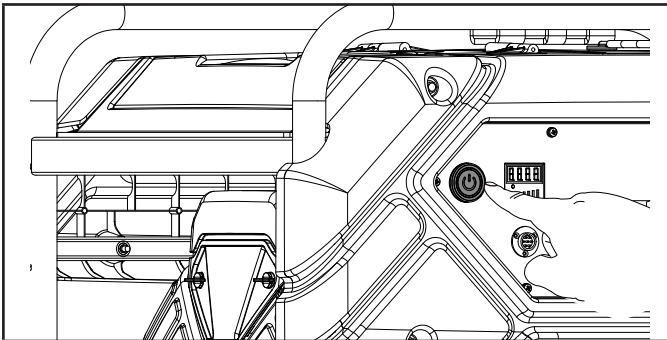
1. Make certain the generator is on a flat, level surface.
2. Disconnect all electrical loads from the generator. Never start or stop the generator with electrical devices plugged in or turned on.
3. Turn the fuel dial to the "ON" position.



4. Press the ignition switch to enter standby mode. The switch will flash amber but the generator will not attempt to start.

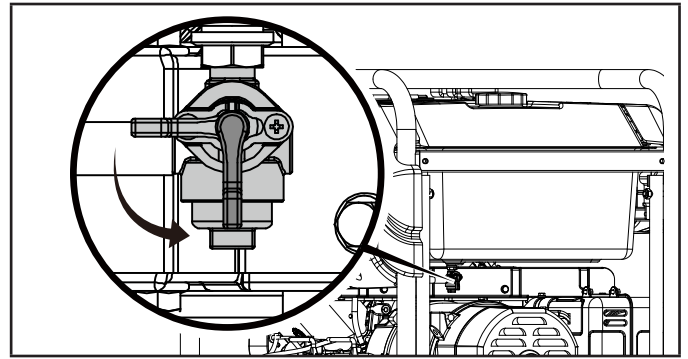


5. Press the ignition switch to start the engine. If engine does not start, wait at least ten seconds before attempting to start the engine again.

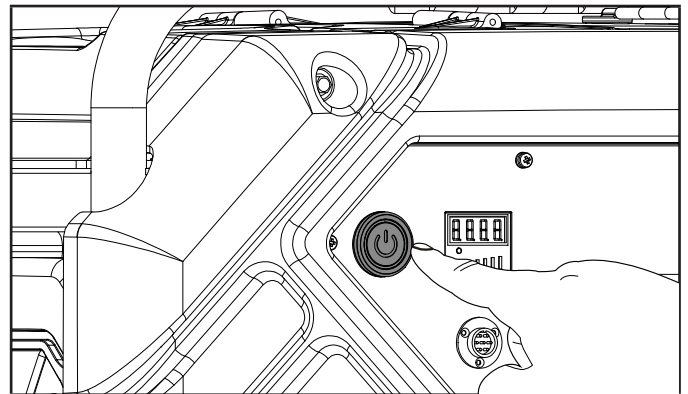


### Starting the Engine: ATS on Automatic Mode

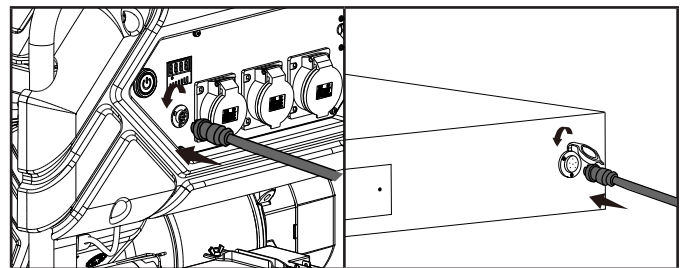
1. Make certain the generator is on a flat, level surface.
2. Turn the fuel dial to the "ON" position.



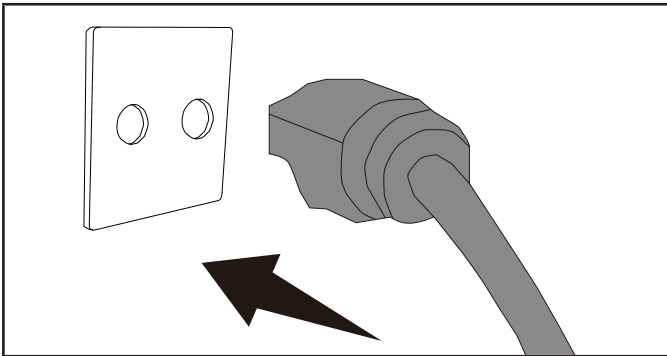
3. Press the ignition switch to enter standby mode. The switch will flash amber but the generator will not attempt to start.



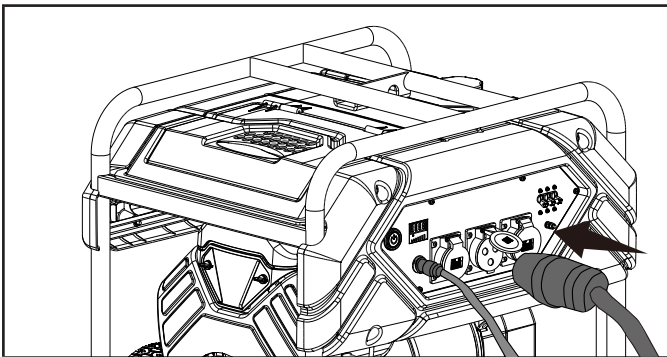
4. Insert the ATS connector into the ATS interface between ATS and generator. (Not Included, ATS Panel and Communication lead sold Separately)



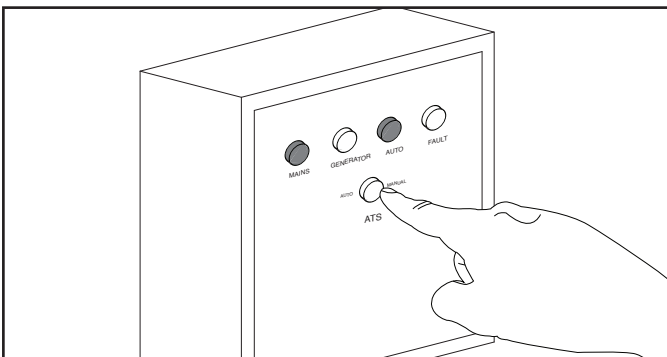
5. Connect ATS to utility power, the "MAINS" indicator on the ATS chassis panel will be light.



6. Connect ATS to generator power.



7. Press the AUTO button on the ATS chassis panel, the "AUTO" indicator will be light.



8. When the utility power go off, the generator will start automatically.

### NOTICE

If the engine starts but does not run make certain that the generator is on a flat, level surface. The engine is equipped with a low oil sensor that will prevent the engine from running when the oil level falls below a critical threshold.

## Battery

### NOTICE

The supplied 12V sealed lead acid (SLA) battery will recharge while the engine is running. When the generator is not in use for extended periods of time, it is recommended that the battery be fully charged at least once a month with a slow charger and disconnected when fully charged or charged using a battery maintainer for long-term storage (not included).

## Connecting Electrical Loads

Let the engine stabilize and warm up for a few minutes after starting.

Plug in and turn on the desired 230 or 400 (if applicable) Volt AC single phase, 50 Hz electrical loads.

- DO NOT connect 3-phase loads to the Blue 230v plugs on this generator.
- DO NOT overload the generator.
- Use only a high quality, insulated, compatible (3-wire or 4-wire) grounded cord set rated equal to or greater (volts and amps) than the receptacle plugging into.

### WARNING

Always remember to plug your appliances directly into the generator and do not plug the generator power cord into any electrical outlet or connect to the circuit breaker panel in your home. Connecting a generator to your home's electric utility company's power lines, or to another power source, called 'backfeeding' is a dangerous practice that is illegal in many states and municipalities.

This action if done incorrectly could damage your generator, appliances and could cause serious injury or death to you or a utility worker when attempting to restore power during an outage occurrence in the neighborhood who may then unexpectedly encounter high voltage on the utility line and suffer a fatal shock.

Whether injuries occur or not, if installed incorrectly and not to applicable laws and codes, you may be subject to fines or the utility company may disconnect your home power should this practice be found in your home.

If the generator will be connected to a building electrical system, those connections must isolate the generator power from the utility power. You are responsible for ensuring your generator's electricity does not backfeed into the electric utility power lines. These connections must comply with all applicable laws and codes – Consult your local utility company or a qualified electrician to properly install this connection.

## Do Not Overload Generator

### Capacity

Follow these simple steps to calculate the running and starting watts necessary for your purposes:

1. Select the electrical devices you plan on running at the same time.
2. Total the running watts of these items. This is the amount of power you need to keep your items running.
3. Identify the highest starting wattage of all devices identified in step 1. Add this number to the number calculated in step 2. Starting wattage is the surge of power needed to start some electric driven equipment. Following the steps listed under "Power Management" will guarantee that only one device will be starting at a time.

### Power Management

Use the following formula to convert voltage and amperage to watts for single phase supply only:

$$\text{Volts} \times \text{Amps} = \text{Watts}$$

To prolong the life of your generator and attached devices, follow these steps to add electrical load:

1. Start the generator with no electrical load attached.
2. Allow the engine to run for several minutes to get up to temperature.
3. Make sure all circuit breakers are set to the run position.
4. Plug in and turn on the first item. It is best to attach the item with the largest load first.
5. Allow the engine to stabilize.
6. Plug in and turn on the next item.
7. Allow the engine to stabilize.
8. Repeat steps 5-6 for each additional item.

### NOTICE

Never exceed the specified capacity when adding loads to the generator.

## Box System ATS User Manual

### ATS Working logic

1. ATS Automatic mode

Press the 'Auto' button on the ATS control panel, this will switch the ATS panel to automatic mode, ATS panel will detect a drop or loss of city power and send a control signal (circular connector: Communication lead) to start the generator.

When ATS detects the city power is normal, ATS panel will send out a control signal to stop generator. Note: This may take up to 30 seconds for the generator to stop whilst the city power is back on.

When ATS detects a drop or loss of main city power for 5 seconds, ATS sends a control signal to start the generator.

After ATS detects the standby generator power is normal for 5 seconds the load is automatically switched to generator power supply mode (Standby / Auxiliary)

When in generator power supply mode (Standby / Auxiliary), when ATS detects the mains city power is restored to normal for approx 5 seconds, The ATS sends a change-over signal, and the load output is changed from the standby / Auxiliary generator power supply mode to the mains city power supply mode. The ATS also sends a signal to stop the generator running.

### NOTICE

Generator runs without load for approx 20 seconds along side restored city power.

When the ATS panel sends a start signal and the generator starts successfully but the ATS panel detects that the AC voltage output supplied by the generator is abnormal the fault light on the ATS panel will illuminate and flash. If after 10 seconds of ATS panel detection, the abnormal AC voltage of the generator did not restore to normal the ATS panel will send a stop signal, and the generator will stop running.

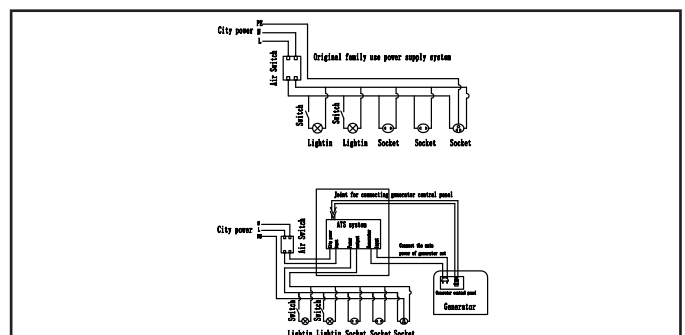
### NOTICE

The fault light on ATS panel will continually flash all the time until it is reset. After the fault of the generator is determined or removed, it is necessary to restart the ATS panel (Press 'OFF' and then back 'ON' again).

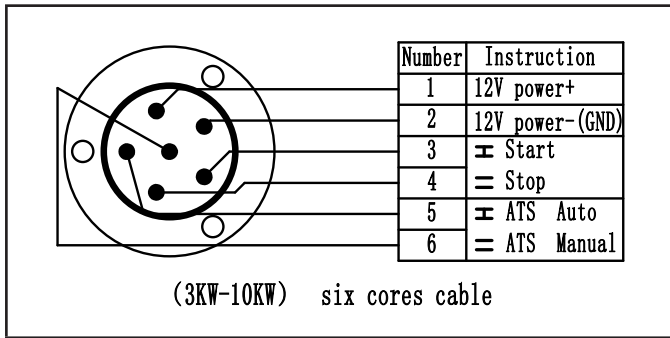
2. ATS manual mode

When ATS 'Auto' button is not pressed ATS panel is in manual mode.

3. ATS panel provides a battery charging feature, this is 13.8v 2A.
4. ATS access to power system diagram.



5. Circular connector wiring



6. Matters need attention!

The voltage at both ends INPUT & OUTPUT of the switch line "L"- "N" should always be between 220-250v or 385-415v, otherwise the switch will not work normally.

Poles 1&2 and 3&4 on the communication lead MUST never be reversed, otherwise risk burning or damaging ATS panel and battery.

7. STRUCTURE:

Switch: Controls internal wiring power.

If switch is in Position "I", ATS will Start/Stop automatically when power is lost or restored.

If switch is in position "O", switch is turned off and isolated.

Manual handle: Before using manual mode, switch needs to be in position "O" off and isolated.

Padlock: maintenance only. Turn the switch to "O", turn manual handle to "O", then lift up padlock. Lift up padlock, internal wiring power off, switch and manual handle will no longer work.

**WARNING**

**HIGH VOLTAGE**

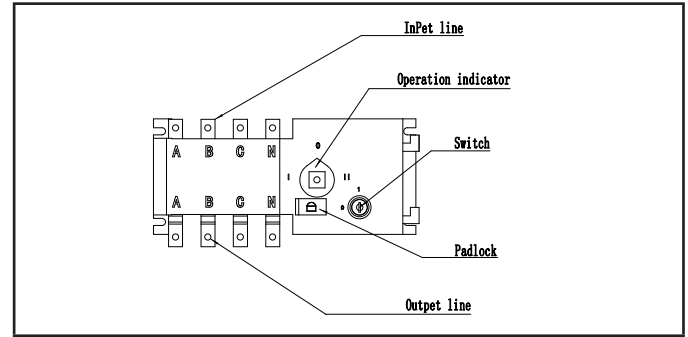
Always isolate the incoming main power supply before opening and entering the ATS panel. Only qualified electrician should open and enter this ATS panel.

Operation indicator: showing the electric power state.

Position "I" Incoming main city power

Position "O" Double channel power off,

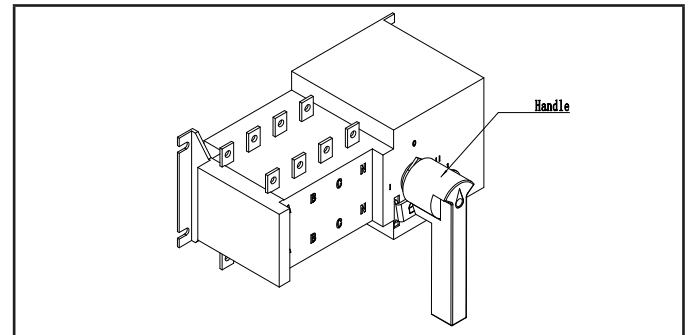
Position "II" Standby / Auxiliary power



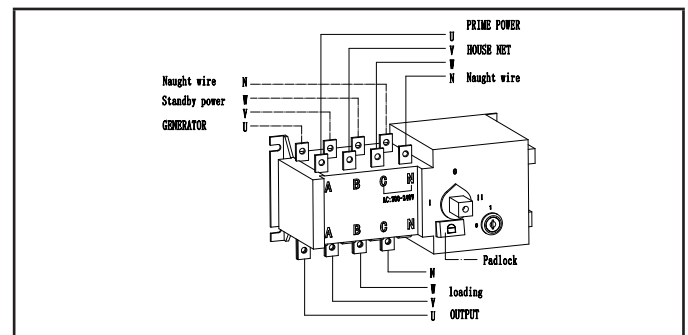
8. ATS Function:

When incoming main city power drops or lost, switch turns to Standby / Auxiliary power automatically. When incoming main city power restored, switch returns to incoming main city power .

When both, manual handle in position "O", and switch in position "O", it will turn off and double isolate all channels.



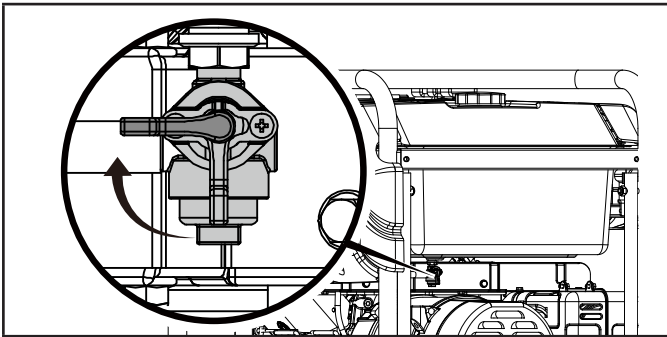
9. Wiring Drawing



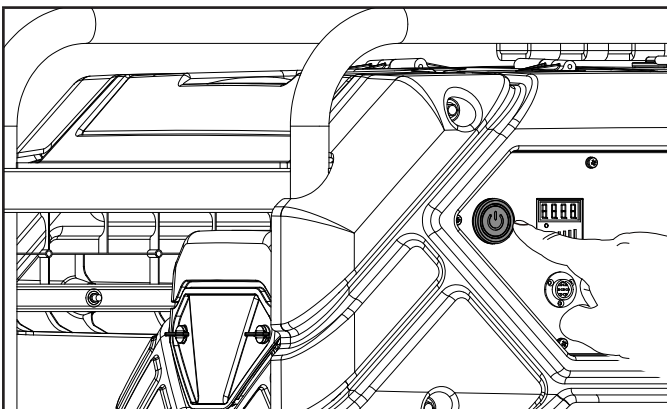


## Stopping the Engine: No ATS or ATS on Manual Mode

1. Turn off and unplug all connected electrical loads. Never start or stop the generator with electrical devices plugged in or turned on.
2. Let the generator run at no-load for several minutes to stabilize internal temperatures of the engine and generator.
3. Turn the fuel dial to the "OFF" position.



4. Press the ignition switch to enter power-off mode.



**Important:** Always ensure that the fuel dial and the ignition switch are in the "OFF" position when the generator is not in use.

## Stopping the Engine: ATS on Automatic Mode

1. When the mains power is restored, the generator will automatically stop. (Will take approx 20 seconds)

### NOTICE

If the engine will not be used for a period of two (2) weeks or longer, please see the Storage section for proper engine and fuel storage.

## Moving the Generator

### CAUTION

- NEVER lift or carry the generator using the folding handle.
- NEVER tilt sideways while moving the generator.
- ALWAYS place the generator on its wheels in the upright position.
- ALWAYS turn the generator off and ensure the fuel valve is closed.
- ALWAYS make sure engine and muffler are cooled down before the generator can be handled safely (typically 15-30 minutes).

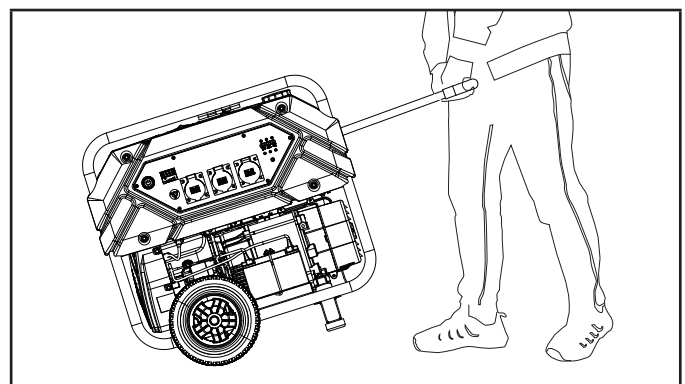
### WARNING

Failure to follow these instructions carefully could result in personal injury or damage to the generator resulting in voiding your warranty

### WARNING

The folding handle is not long enough to hold and walk with a full stride when moving the generator. Always side step as you walk to avoid injury to your heels and/or feet. Failure to follow these instructions could result in personal injury or damage to the generator.

1. Begin by raising the folding handle, found on opposite side of wheels.
2. Using the handle, tilt the end of the generator slightly off the ground until balanced on the wheels.
3. While maintaining balance, roll the generator to the desired location.



## Operation at High Altitude

The density of air at high altitudes is lower than at sea level. Engine power is reduced as the air mass and air-fuel ratio decrease. Engine power and generator output will be reduced approximately 3½% for every 1000 ft. of elevation above sea level. At high altitudes increased exhaust emissions can also result due to the increased enrichment of the air fuel ratio. Other high altitude issues can include hard starting, increased fuel consumption and spark plug fouling.

To alleviate high altitude issues other than the natural power loss, CPE can provide a high altitude carburetor main jet. The alternative main jet and installation instructions can be obtained by contacting our Technical Support Team. Installation instructions are also available in the Technical Bulletin area of the CPE website.

### ⚠️ WARNING

Operation using the alternative main jet at elevations lower than the recommended minimum altitude can damage the engine. For operation at lower elevations, the originally supplied standard main jet must be used. Operating the engine with the wrong engine configuration at a given altitude may increase its emissions and decrease fuel efficiency and performance.

## MAINTENANCE

Make certain that the generator is kept clean and stored properly. Only operate the unit on a flat, level surface in a clean, dry operating environment. DO NOT expose the unit to extreme conditions, excessive dust, dirt, moisture or corrosive vapors.

### ⚠️ WARNING

Never operate a damaged or defective generator.

### ⚠️ WARNING

Your generator needs regular servicing and maintenance, failure to properly maintain and service your generator regularly will result in voiding any warranty. For clear guidance read and understand this section.

### 🗨️ NOTICE

For Emission control devices and systems, read and understand your responsibilities for service as stated in the Emission Control Warranty Statement of this manual.

The owner/operator is responsible for all periodic servicing and maintenance.

Complete all scheduled maintenance in a timely manner.

Correct any issue before operating the generator.

## Cleaning the Generator

### ⚠️ CAUTION

Your generator needs regular servicing and maintenance, failure to properly maintain and service your generator regularly will result in voiding any warranty. For clear guidance read and understand this section.

Water can enter the generator through the cooling slots and damage the generator windings. It can also contaminate the fuel system.

1. Use a damp cloth to clean exterior surfaces of the generator.
2. Use a soft bristle brush to remove dirt and oil.
3. Use an air compressor (25 PSI) to clear dirt and debris from the generator.
4. Inspect all air vents and cooling slots to ensure that they are clean and unobstructed.

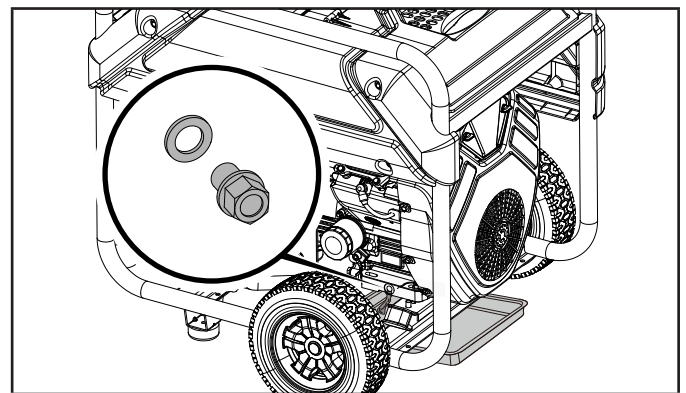
To prevent accidental starting, remove and ground the spark plug wire before performing any service.

## Changing Engine Oil and Filter



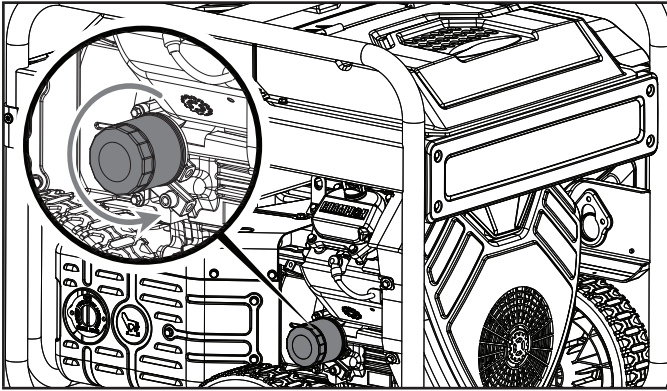
Recommended every 50 hours use or annually. Change oil when the engine is warm. Refer to the oil specification to select the proper grade for your operating environment.

1. Remove the oil drain bolt.
2. Allow the oil to drain completely into an appropriate container.

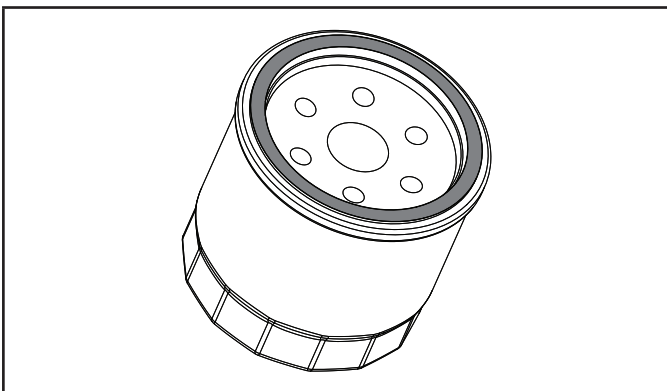


3. Replace the oil drain bolt.

- Remove oil filter by turning counterclockwise.



- Apply a light coat of clean oil onto the gasket of new oil filter.



- Install new oil filter by turning clockwise by hand until gasket contacts the engine block. Then apply additional 3/4 turn.
- Add oil according to *Add Engine Oil* in *Assembly* section. Recommended 10W30 DO NOT OVERFILL. Oil not included for routine maintenance.
- Dispose of used oil and filter at an approved waste management facility.

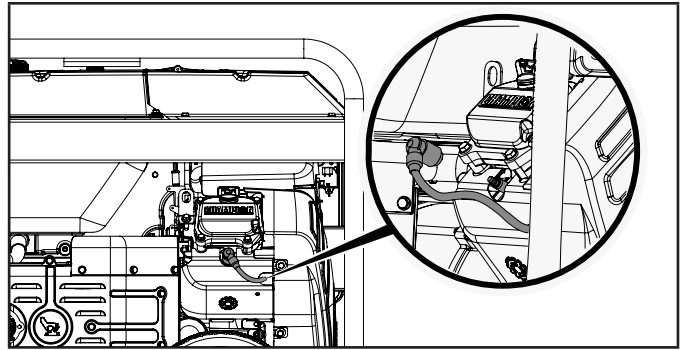
#### NOTICE

Once oil has been added, on flat level surface as a general rule oil should be visible about 1-2 threads from top of the oil port hole. If using the dipstick to check oil level, DO NOT screw in the dipstick while checking simply rest it against the top of the port and take reading.

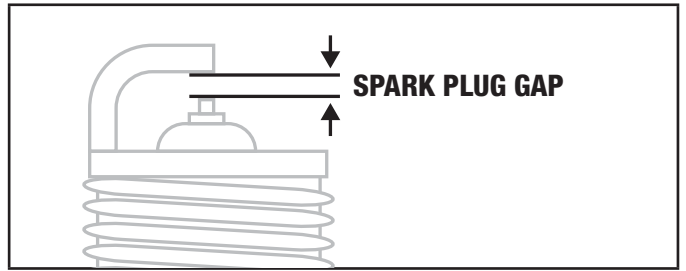
### Cleaning and Adjusting the Spark Plugs

- Remove the spark plug cable from the spark plug.

- Use a spark plug socket tool (not included), or a 13/16 in. (21 mm) socket (not included) to remove the plug.



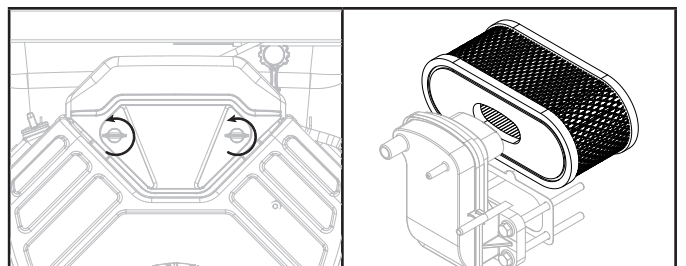
- Inspect the electrode on the plug. It must be clean and not worn to produce the spark required for ignition.
- Make certain the spark plug gap is 0.028-0.031 in. (0.7-0.8 mm).



- Refer to the spark plug types in *Specifications* when replacing the plug.
- Firmly re-install the plug.
- Attach the spark plug cable to the spark plug.
- Repeat Steps 1-7 for spark plug on other side of engine.

### Cleaning the Air Filter

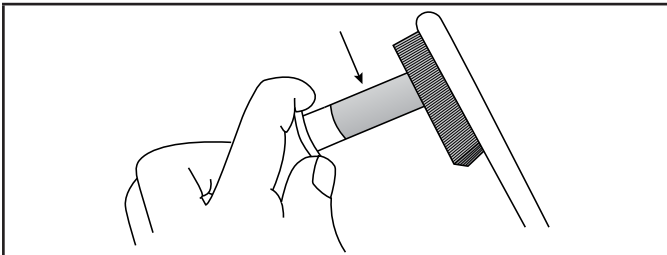
- Recommended every 50 hours use or annually. Open engine access cover.
- Remove the air filter cover by turning the two fasteners 1/4 turn counterclockwise.
- Pull the air filter straight out away from engine.



- Install new air filter.
- Replace air filter cover and turn the two fasteners 1/4 turn clockwise.
- Close engine access cover.

## Cleaning the Spark Arrestor

1. Recommended every 100 hours use or 1 month. Allow the engine to cool completely before servicing the spark arrestor.
2. Remove the two screws holding the cover plate which retains the spark arrestor to the muffler.
3. Remove the spark arrestor screen.
4. Carefully remove the carbon deposits from the spark arrestor screen with a wire brush.



5. Replace the spark arrestor if it is damaged.
6. Position the spark arrestor on the muffler and attach with the screws removed in step 2.

### CAUTION

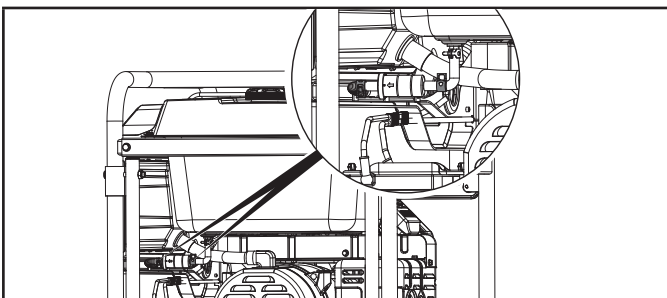
Failure to clean the spark arrestor regularly will result in degraded engine performance and may damage engine resulting in voiding any warranty.

### NOTICE

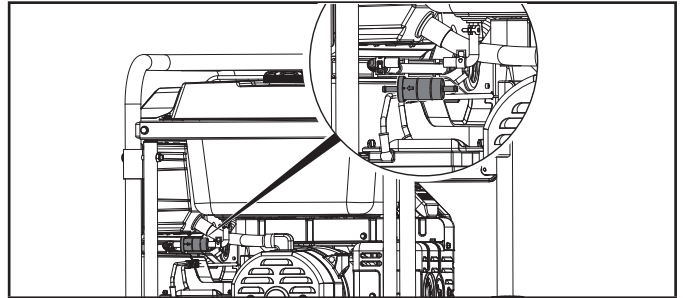
Federal and local laws and administrative requirements indicate when and where spark arrestors are required. When ordered, spark arrestors are required for operation of this generator in National Forest lands. In California, this generator must not be used on any forest-covered land, brush-covered land, or grass-covered land unless the engine is equipped with a spark arrestor.

## Replacing Fuel Filter

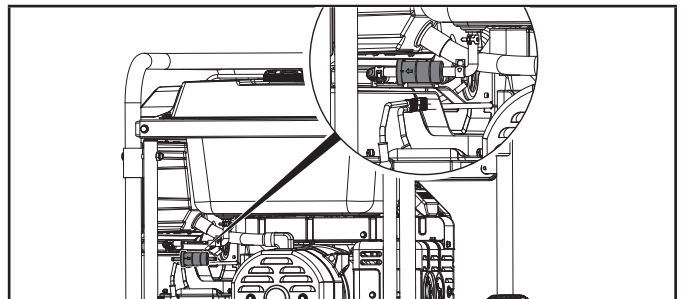
1. Move clips on each side of fuel filter.



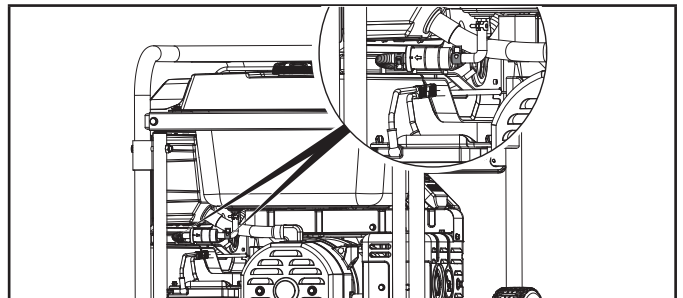
2. Pull fuel hose off each end of fuel filter.



3. Push fuel hose on each end of new filter.



4. Return clips to end of fuel hose.



## Adjusting the Governor

### WARNING

Tampering with the factory set governor will void your warranty.

The air-fuel mixture is not adjustable. Tampering with the governor can damage your generator and your electrical devices and will void your warranty.

## Generator Battery

Your generator is equipped with an automatic battery charging circuit that charges the battery while the engine is running. The battery will maintain a proper charge if the unit is used on a regular basis (about once every two weeks). If it is used less frequently, the battery should be connected to a trickle charger or battery maintainer (not included) to keep the battery properly charged.

Maximum charging rate should not exceed 1.5 amps. Follow the instructions included with the battery charger. The battery should be fully charged at least once per month. If the battery is not able to start the engine, it can be started by manually pulling the engine recoil cord. If the battery voltage is extremely low, the charging circuit may not be able to re-charge the battery. In this case, the battery must be connected to a standard automotive style battery charger for re-charging before it can be used.

### Disconnect the Battery

1. Remove the protective cover from the black/negative battery lead.
2. Disconnect the black/negative lead from the black/negative terminal on the battery and store the capscrew (M5x12) and lock washer (M5).
3. Repeat steps 1-2 for the red/positive battery lead.
4. Store the battery in a cool, dry place.

### Charge the Battery

For a generator equipped with batteries for electric starting, proper battery maintenance and storage should be followed. A trickle charger or battery maintainer should be used to charge the battery while the generator is in storage. Maximum charging rate should not exceed 1.5 amps. Follow the instructions included with the trickle charger or battery maintainer. The battery should be fully charged at least once per month.

## Maintenance Schedule

Follow the service intervals indicated in the following maintenance schedule.

Service your generator more frequently when operating in adverse conditions.

### EVERY 8 HOURS OR PRIOR TO EACH USE

- Check oil level
- Clean around air intake and muffler

### FIRST 5 HOURS (BREAK IN)

- Change oil and oil filter

### EVERY 50 HOURS OR ANNUALLY

- Clean air filter
- Change oil if operating under heavy load or in hot environments

### EVERY 100 HOURS OR ANNUALLY

- Change oil and oil filter
- Clean/adjust spark plug
- Clean spark arrestor
- Replace fuel filter

### EVERY 250 HOURS

- Clean combustion chamber\*
- Check/adjust valve clearance\*

### EVERY 3 YEARS

- Replace fuel line\*

\*To be performed by knowledgeable, experienced owners or CPE certified service centers.

## STORAGE

### WARNING

To avoid accidental or unintended ignition of your generator during periods of storage, the following precautions should be followed:

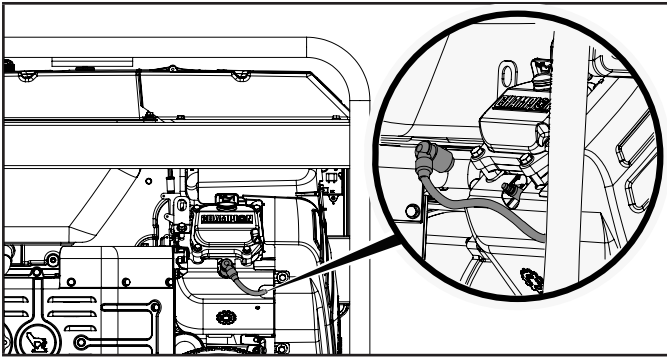
- When storing the generator make sure the fuel dial is set to the “OFF” position.

### Short Term Storage (30 days – 1 year)

Ethanol blended petrol in the fuel tank has a maximum shelf life of up to 1 year with the addition of a properly formulated fuel stabilizer and stored in a cool, dry place.

1. Be sure all appliances are disconnected from the generator.
2. Add a properly formulated fuel stabilizer to the fuel tank.
3. Turn the fuel dial to the “ON” position.
4. Start and run the generator for 10 minutes so the treated gasoline cycles through the fuel system.
5. Turn the fuel dial to the “OFF” position.
6. Let the generator run until fuel starvation has stopped the engine. This may take a few minutes.
7. Press the ignition switch to the “OFF” position.
8. Allow generator to cool completely before continuing.

- Remove the spark plug cap and spark plug and pour about a tablespoon of oil into each of the cylinders.

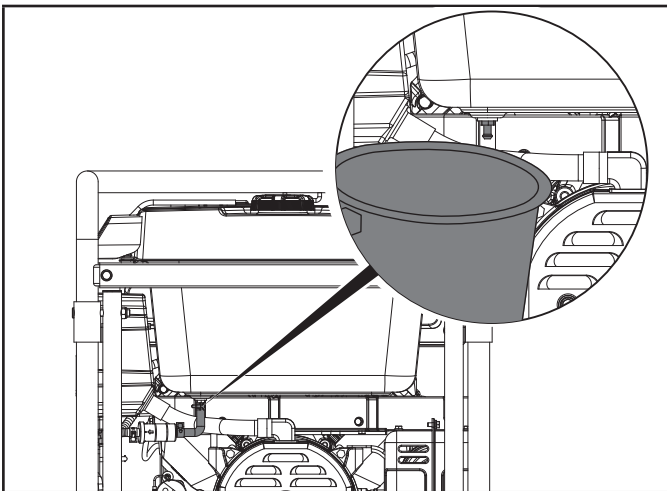


- Install the spark plug on each cylinder but DO NOT install spark plug cap.
- With fuel dial in the “OFF” position, crank engine for 2 seconds using ignition switch.
- Install spark plug cap on each cylinder.
- Clean the generator according to *Cleaning the Generator*.
- Store the generator in a cool, dry place out of direct sunlight.

### Long Term Storage (over 1 year)

For storage over 1 year, the fuel tank must be completely drained of petrol.

- The generator is to be OFF and all appliances disconnected.
- Place appropriate container under the fuel tank drain fitting. Move clip on fuel line connected to fuel tank. Pull fuel line off fuel tank fitting to allow fuel to drain into container.



- When petrol stops flowing from the fuel tank, return fuel hose and clip to fuel tank fitting. Properly dispose of the drained petrol according to local regulations or guidelines.
- Follow steps 9-14 according to *Short Term Storage*.

### Removing from Storage

#### NOTICE

If the generator has been improperly stored for a period longer than 30 days with ethanol blended petrol in the fuel tank, all fuel must be drained.

If the fuel tank was properly emptied of all ethanol blended petrol prior to the generator being stored, follow the below steps when removing from storage.

- Be sure the fuel dial is in the “OFF” position.
- Add gasoline to the generator according to *Add Fuel*.
- Turn the fuel dial to the “ON” position.
- After 5 minutes check for any leaking gasoline. If no gasoline leaks are found, turn the fuel dial to the “OFF” position.
- Check engine oil level and add clean, fresh oil if needed. See *Oil Specifications* for proper oil type.
- Check air filter of any obstructions such as bugs or cobwebs. If necessary, clean air filter according to *Cleaning the Air Filter*.
- Start the generator according to *Starting the Engine*.

# SPECIFICATIONS

## Generator Specifications

Generator Model .....	CPG500111-S3-EU
Start Type .....	Electric
Watts (Max/Running) .....	11000/10000
AC Volts .....	400/230
AC Amps @ 230V (Running) .....	14.5
AC Amps @ 400V (Running) .....	15.9
Volts DC .....	12
Frequency .....	50 Hz
Phase .....	Single-3
Grounding Type .....	Neutral Bonded to Frame
Weight .....	325.8 lb. (147.8 kg)
Length .....	33 in. (83.9 cm)
Width .....	33.7 in. (85.6 cm)
Height .....	33.1 in. (84.2 cm)
Max site altitude of installation .....	1000 m
Measured sound pressure level (7m) .....	60 dB(A)
Measured sound pressure level (4m) .....	74 dB(A)
Noise measurement uncertainty .....	≤1.5 dB(A)
Guaranteed sound power level .....	96 dB(A)

## Engine Specifications

Model .....	YF2V78FD-111
Displacement .....	717 cc
Type .....	4-Stroke OHV

### Spark Plug

OEM Type .....	F6RTC
Replacement Type .....	NGK BPR6ES or equivalent
Gap .....	0.028-0.031 in. (0.7-0.8 mm)

### Valve

Intake Clearance .....	0.005-0.007 in. (0.13-0.17 mm)
Exhaust Clearance .....	0.005-0.007 in. (0.13-0.17 mm)

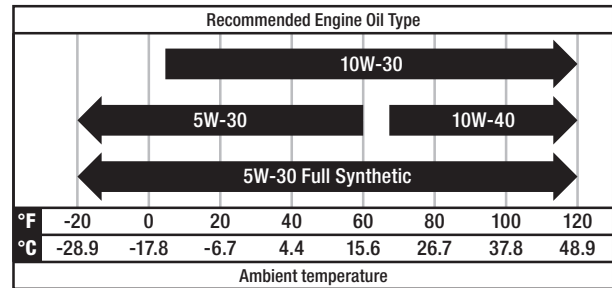
### NOTICE

A technical bulletin regarding valve adjustment procedures is available at [www.championpowerequipment.eu](http://www.championpowerequipment.eu).

## Oil Specifications

DO NOT OVERFILL.

Type .....	*See following chart
Capacity .....	44 fl. oz. (1300 ml)



### NOTICE

Temperature will affect engine oil and engine performance. Change the type of engine oil used based on temperature shown in the “Recommended Engine Oil Type” table.

## Fuel Specifications <sup>ES</sup> <sup>E10</sup>

Use unleaded petrol with a minimum octane rating of 85 and an ethanol content of 10% or less by volume. DO NOT USE E15 or E85. DO NOT OVERFILL.

Fuel Capacity .....	11 gal. (42.00 L)
---------------------	-------------------

## Battery Specifications

Type .....	Rechargeable, Non-Spillable Lead Acid
Volts DC .....	12
Capacity .....	33 Ah

## Temperature Specifications

Starting Temperature Range (°F/°C) .....	5 to 104/-15 to 40
--	--------------------

### NOTICE

**An important message about temperature:** Your product is designed and rated for continuous operation at ambient temperatures up to 104°F (40°C). When needed, it may be operated at temperatures ranging from 5°F (-15°C) to 122°F (50°C) for short periods of time. If exposed to temperatures outside this range during storage, it should be brought back within this range before operation. In any event, the product must always be operated outdoors, in a well-ventilated area and away from doors, windows and vents.

Figure A Parts Diagram

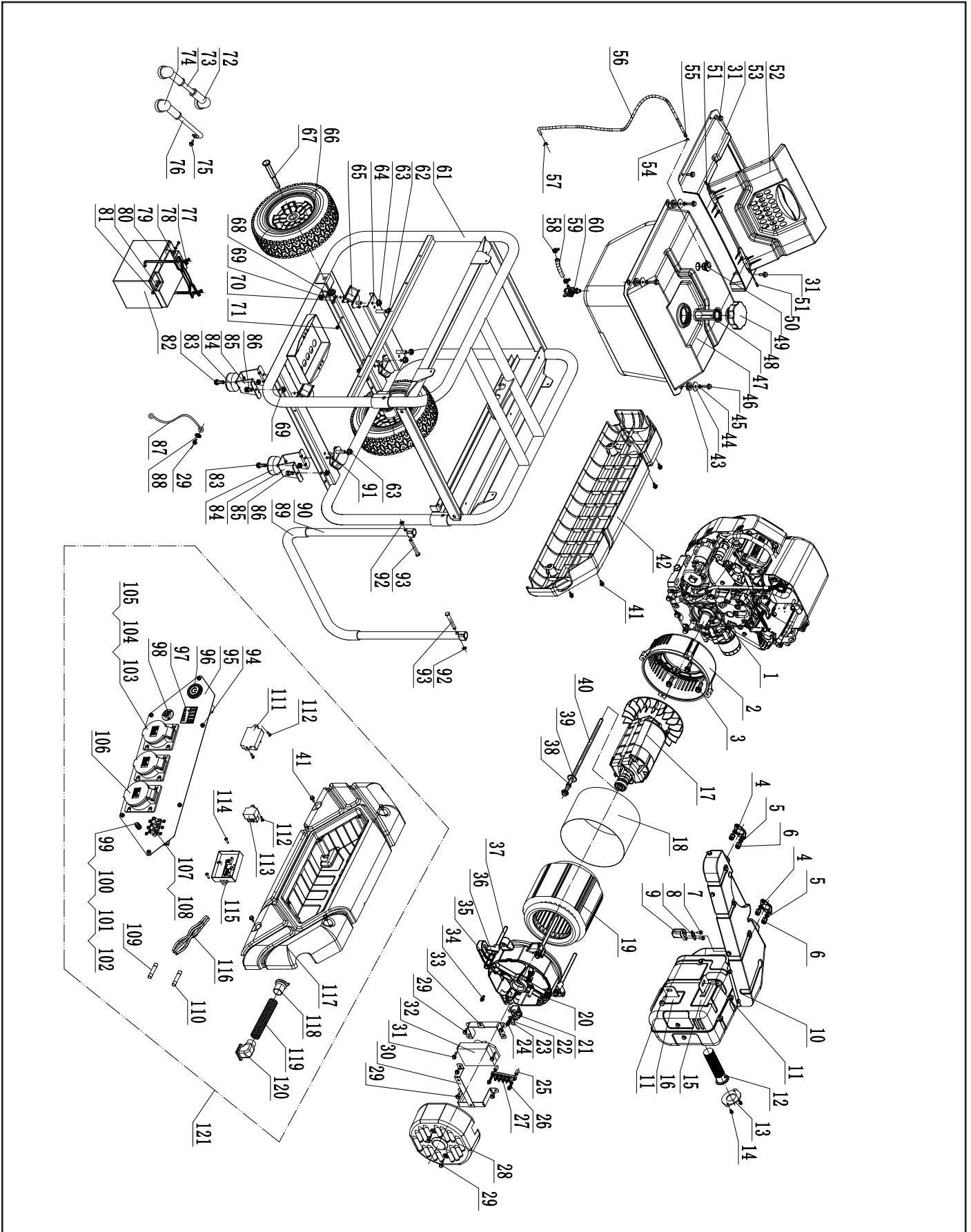




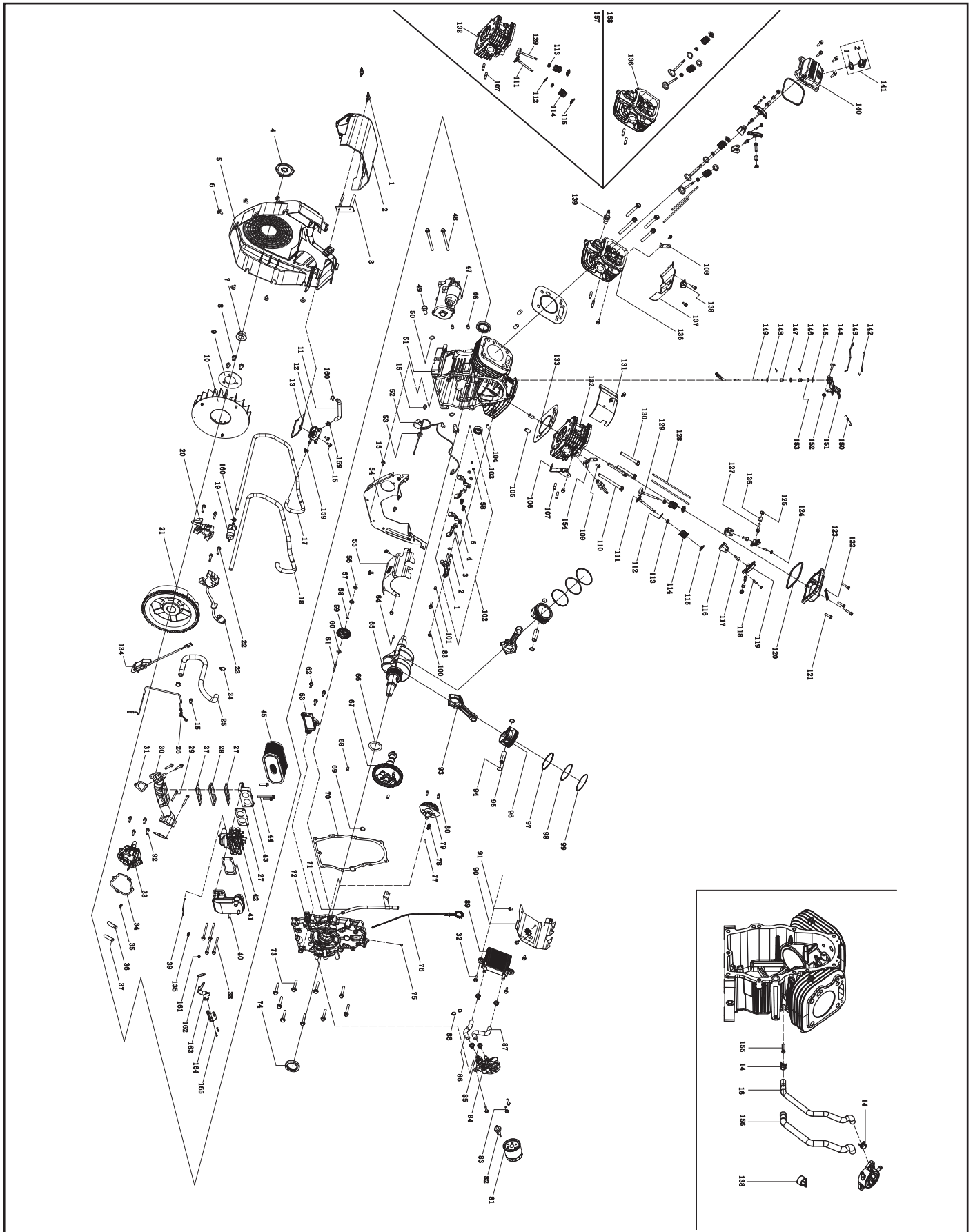
Figure A Part List

#	Part Number	Description	Qty.
1	CPG500111-S3-EU	Engine	1
2	172.190007.00	Crankcase Cover	1
3	1.5789.1022	Flange Bolt M10 x 22	4
4	717.100001.00	Gasket, Exhaust	2
5	1.93.08	Lock Washer Ø8	4
6	2.02.033	Nut M8	4
7	1.16674.0616	Flange Bolt M6 x 16	2
8	24.100300.03	Air Fill Clique Washer	1
9	717.100300.00	Air Fill Clique Assembly	1
10	717.101000.03.2	Muffler Assembly	1
11	1.16674.0820	Flange Bolt M8 x 20	2
12	717.101300.01	Spark Arrester Assembly	1
13	717.101503.01	Plate, Spark Arrester	1
14	1.9074.17.0612	Bolt/Washer Assembly M6 x 12	2
15	717.100005.01	Rubber Pillow 1, Muffler	1
16	717.100005.02	Rubber Pillow 2, Muffler	1
17	172.191100.07	Rotor Assembly, Cu, Ø230 x 160 mm	1
18	172.191002.00	Cover, Stator	1
19	172.191200.09	Stator Assembly, Al, Ø230 x 160 mm	1
20	172.190002.00	End Housing	1
21	161.190300.00	Carbon Brush Assembly	1
22	122.190004.01	Pinch, Carbon Brush	1
23	1.93.05	Lock Washer Ø5	1
24	1.5783.0520	Bolt M5 x 20	1
25	2.13.030	Bush, Ø6 x Ø14 x 15	2
26	1.16674.0535	Flange Bolt M5 x 35	2
27	172.190400.00	Terminal Block	1
28	172.190003.00.48	End Cover, Generator, Yellow	1
29	1.5789.0612	Flange Bolt M6 x 12	8
30	172.190202.00	Holder 1, AVR	1
31	1.5789.0615	Flange Bolt M6 x 15	6
32	172.190200.00	AVR	1
33	172.190202.01	Holder 2, AVR	1
34	1.16674.0516	Flange Bolt M5 x 16	1
35	1.7244.08	Big Washer Ø8	4
36	1.97.1.08	Washer Ø8	4
37	2.08.112	Flange Bolt M8 x 210	4
38	1.7244.10	Big Washer Ø10	1
39	1.96.10	Flat Washer Ø10	1
40	2.08.129	Flange Bolt M10 x 320	1
41	1.5789.0615.1	Flange Bolt M6 x 15, Black	8

#	Part Number	Description	Qty.
42	172.200800.00.2	Decorative Plate, Black	1
43	122.070015.01	Mount Vibration, Fuel Tank	4
44	2.03.004	Washer, Ø24 x Ø6.5 x 1.5	4
45	1.93.06	Lock Washer Ø6	4
46	1.5789.0620.2	Flange Bolt M6 x 20	4
47	172.071000.00.48	Fuel Tank, Yellow	1
48	122.070300.03	Fuel Filter Assembly	1
49	122.070100.07	Cap, Fuel Tank	1
50	24.070800.00	Reversal Valve	1
51	172.200509.00	Pin, Top Cover	2
52	172.200505.00.48	Protector Cover	1
53	172.200501.00.48	Top Cover	1
54	2.06.006	Clamp Ø7 x Ø1	1
55	24.070030.00	Hole, Breather Tube	1
56	152.070014.04	Pipe, Reversal Valve, 670 mm	1
57	2.06.004	Clamp, Ø8 x Ø1	1
58	2.06.027	Clamp Ø12 x b8	2
59	172.070011.01	Fuel Pipe, 65 mm	1
60	172.070400.01	Fuel Valve	1
61	61175.0.2	Frame	1
62	1.6182.10	Lock Nut M10	2
63	1.6177.1.10	Flange Lock Nut M10	4
64	172.201600.00.2	Supporter, Engine	1
65	172.201200.00	Motor Mount 1	2
66	172.201701.00.48	12 in. PU Wheel, Yellow	2
67	172.201501.00	Pin Roll, Wheel, Ø16 x Ø12 x 116	2
68	1.848.12	Washer Ø12	2
69	1.6177.1.08	Lock Nut M8, Flange	9
70	2.16.001	Pin Ø2 x 33, "R" Shape	2
71	2.05.001	Clamp, Ø8 x 6.5	2
72	163.200013.01	Red Jacket 1, Wire	2
73	5.1900.082	Red Wire 400 mm, Battery	1
74	163.200013.00	Black Jacket 2, Wire	1
75	1.5789.0608	Flange Bolt M6 x 8	1
76	5.1900.083	Black Wire 350 mm, Battery	1
77	1.62.06	Butterfly Nut M6	2
78	172.200902.00.2	Pressure Plate, Battery	1
79	152.200014.00	Curved Screws M6 x 150	2
80	1.6177.1.05	Lock Nut M5, Flange	2
81	1.16674.0512.2	Flange Bolt M5 x 12	2
82	9.1000.330	Battery 12V33AH	1

#	Part Number	Description	Qty.
83	1.5789.0825	Flange Bolt M8 x 25	2
84	152.201400.00	Rubber, Support	2
85	172.200002.00.2	Support Leg	2
86	1.5789.0816	Flange Bolt M8 x 16	4
87	5.1900.084	Grounding Line 200 mm	1
88	1.862.06	Lock Washer Ø6, Toothed	2
89	152.200702.02	Cover, Handle	1
90	172.200701.00.2	Handle, U Shape	1
91	171.201200.01	Motor Mount 2	2
92	1.894.1.10	Circlip Ø10	2
93	172.200703.00	Long Pin, Handle	2
94	1.9074.4.0514.1	Screw/Washer Assembly M5 x 14, Black	6
95	172.219.8.2	Control Panel	1
96	5.1040.012	Ignition Switch	1
97	5.1440.012	Intelligauge, Four In One	1
98	5.1130.012	Receptacle	1
99	1.5783.0622.1	Bolt M6 x 22, Black	1
100	1.6175.06.1	Nut M6, Black	2
101	1.97.1.06.1	Washer Ø6, Black	2
102	1.93.06.1	Lock Washer Ø6, Black	2
103	5.1120.061	Receptacle	2
104	1.818.0514.2	Screw M5 x 14	12
105	1.6177.1.05.2	Lock Nut M5, Flange	12
106	5.1120.060	Receptacle	1
107	5.1250.160	16Amp Circuit Breaker, Triple Pole	1
108	1.9074.4.0306.1	Screw/Washer Assembly M3 x 6	6
109	5.1280.003	Fuse, 10A	1
110	5.1280.008	Fuse, 5A	1
111	5.1820.008	Charger	1
112	1.818.0514.2	Screw M5 x 14	6
113	5.1810.010	Over Voltage Protector	1
114	1.845.4216	Screw M4 x 16	2
115	5.1830.036	Modules	1
116	CPG500111-S3- EU.21.10	Wire Assembly	1
117	172.210002.00.2	Control Box, Black	1
118	172.210003.01	Wire Jacket, Control Box	1
119	5.1320.024	Sheath, Wire, Ø23.5 x 300mm	1
120	172.210003.02	Plug, End Cover	1
121	CPG500111-S3- EU.21	Control Panel Assembly	1

Figure B Engine Parts Diagram



## Figure B Engine Part List

#	Part Number	Description	Qty.
1	717.091500.00	Retainer, AC Cover	2
2	717.091000.00	Cover, Air Filter, Petrol	1
3	717.091001.00	Retainer, A/C Filter, 60 mm	1
4	717.080104.00	Insert, Fan Cover Logo	1
5	717.080100.00	Cover, Fan, Screen&Cooler Ribs	1
6	2.08.083	Bolt, Hex Flange M6 x12	6
7	1.6177.20	Nut, M20 x 1.5 Flange	1
8	1.5789.0816	Hex Flange Bolt, M8 x 16	3
9	61.080005.00	Plate, Fan	1
10	717.080001.00	Fan, Cooling	1
11	717.070011.00	Hose, Fuel	1
12	82.073000.00	Pulse Pump, Fuel	1
13	717.070004.00	Bracket, Fuel Pump	1
14	2.06.027	Hose Clamp, Ø12 x b8	2
15	1.5789.0612	Hex Flange Bolt, M6 x 12	16
16	717.070901.30	Hose, Pulse Line	1
17	717.070011.02	Hose, Fuel Line, 1150 mm	1
18	717.070017.01	Protective Sleeve, Fuel Hose, 1120 mm	1
19	717.070500.00	Fuel Filter	1
20	717.123000.03	Ignition Coil Assembly, Cylinder 1, EMC	1
21	717.120100.00	Flywheel Assembly	1
22	1.5789.0629	Hex Flange Bolt, M6 x 29	6
23	717.123000.04	Ignition Coil Assembly, Cylinder 2, EMC	1
24	2.06.009	Clamp, Ø17 x Ø1.5	2
25	717.030019.00	Tube, Breather	1
26	717.134101.00	Jumper Wire Assy, Solenoid	1
27	717.130003.00	Gasket, Carburetor	3
28	61.130001.00	Insulator, Carburetor	1
29	1.16674.0640	Hex Small Flange Bolt, M6 x 40	4
30	717.130012.00	Intake Manifold	1
31	717.130011.00	Gasket, Intake Manifold	2
32	1.5789.0620	Hex Flange Bolt, M6 x 20	2
33	717.030021.01	Cover, Breather	1
34	717.030022.30	Gasket, Breather Cover	1
35	1.818.0410	Screw, Small Pan Head M4 x 10	2
36	717.021104.00	Retainer, Reed Valve	1
37	717.021103.30	Reed Valve	1
38	2.08.087	Hex Flange Bolt M6 x 83	4
39	717.110009.01	Link, Choke	1
40	717.090100.00	Elbow, Ac Intake Assembly Purge	1
41	717.090005.00	Gasket, Ac Assembly	1

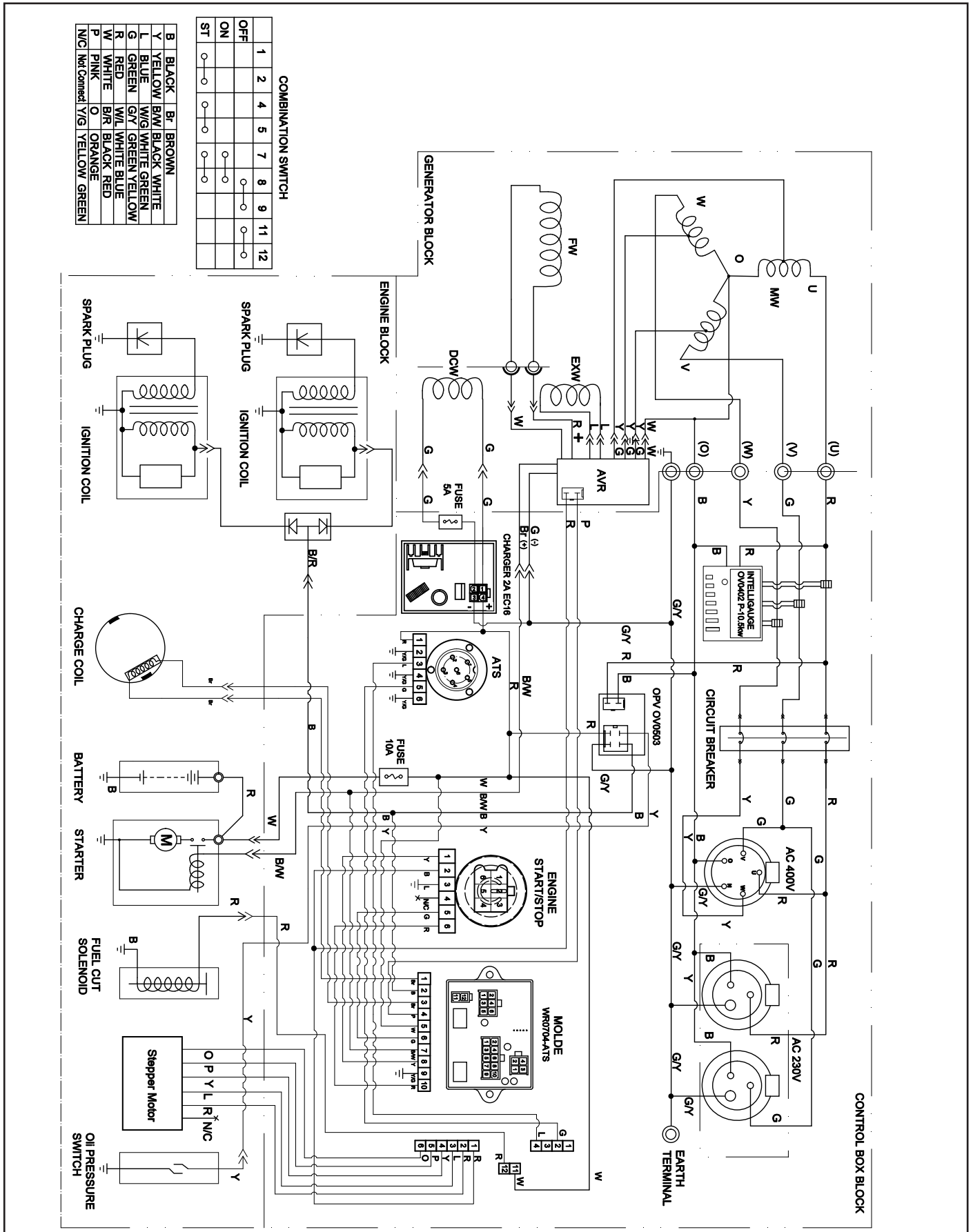
#	Part Number	Description	Qty.
42	717.131000.00	Carburetor Assy	1
43	61.130013.00	Connector, Carburetor	1
44	1.5789.0665	Hex Flange Bolt, M6 x 65	1
45	717.091300.00	Air Filter Assembly	1
46	2.04.009	Pin, Dowel Ø10 x 14	2
47	61.125000.00	Motor Assy, 12V Solenoid Shift Starter	1
48	1.16674.08110	Hex Small Flange Bolt, M8 x 110	2
49	2.08.039	Bolt, Drain, M12 x 1.5 x 15	2
50	2.03.023	Washer, Drain Bolt, Ø12.5 x Ø20 x 2	2
51	717.030100.01	Crankcase Component	1
52	61.120800.00	Diode Assembly, Engine Stop	1
53	2.12.004	Grommet Ø9.5 x 10	1
54	717.080800.31	Air Board, Assy, Internal Oil Cooler	1
55	717.080500.01	Air Guide, Outer Cylinder 1 Assembly	1
56	45.110012.00	Bushing, Governor Gear	1
57	2.03.053	Washer, Ø6.2 x Ø17 x 0.8	1
58	21.110011.00	Clip, Retaining	3
59	61.110100.00	Gear Assy, Governor	1
60	2.03.054	Washer, Ø6.2 x Ø15 x 1	1
61	45.110013.00	Shaft, Governor Gear	1
62	1.5789.0620	Hex Flange Bolt, M6 x 20	3
63	61.150300.00	Oil Filter Component	1
64	2.14.005	Key, Flywheel, 4 x 5.5 x 12.5	1
65	717.050100.04	Assembly, Crankshaft - Taper Pto	1
66	2.03.026	Washer, Crankshaft Thrust, Ø39 x Ø54 x 1.2	1
67	717.040100.01	Camshaft Assembly	1
68	2.04.002	Location Pin Ø8 x 14	2
69	2.07.023	O-Ring Ø12 x Ø3.5	1
70	717.030008.00	Gasket, Crankcase Cover	1
71	717.031200.00	Tube, Oil Dipstick Assembly	1
72	717.030007.01	Cover, Crankcase	1
73	1.5789.0850	Hex Flange Bolt, M8 x 50	9
74	2.11.010	Seal, Pto Oil, Ø38 x Ø58 x 9	2
75	61.030011.00	Plug, Crankcase Cover	1
76	717.031000.00	Blade Assembly, Oil Dipstick	1
77	1.308.9.5	Ball Ø9.5, Steel Check Valve	1
78	61.150004.00	Spring, Compression	1
79	61.151000.00	Pump Assembly, Oil	1
80	1.70.0616	Screw, M6 x 16, Socket Head Cap	2

#	Part Number	Description	Qty.
81	717.153000.00	Filter, Oil	1
82	717.120007.01	Switch, Low Oil Shut-Down 0.6 Bar	1
83	1.16674.0625	Hex Small Flange Bolt, M6 x 25	4
84	717.150200.03	Base Assembly, Oil Filter With Oil Cooler And Oil Pressure Switch	1
85	2.06.032	Clamp Ø17, Oil Hose	4
86	717.152101.02	Hose 2, Oil Line	1
87	717.152101.01	Hose 1, Oil Line	1
88	2.07.004	O-Ring Ø12 x Ø2.5	2
89	717.152001.01	Oil Cooler Assy, Internal Mount	1
90	717.080600.01	Air Guide, Outer, Cylinder 2 Assembly	1
91	1.5789.0608	Hex Flange Bolt, M6 x 8	2
92	1.16674.0620	Hex Small Flange Bolt, M6 x 20	4
93	717.050200.00	Assy, Connecting Rod	2
94	2.09.009	Retainer, Piston Pin, Ø17 x Ø1	4
95	717.050003.30	Pin, Piston, Ø17 x 53.8 mm	2
96	717.050005.05	Piston, 78 mm, 2.75 mm, Dish Ceramic Crown	2
97	717.050303.01	Ring Assembly, Oil Control	2
98	717.050302.01	Ring, Piston, 2nd	2
99	717.050301.01	Ring, Top Piston	2
100	1.16674.0616	Hex Small Flange Bolt, M6 x 16	1
101	2.04.005	Pin, Ø8x10, Location	1
102	717.042000.30	Follower Assembly, Camshaft	1
	1 717.042100.30	Follower Pivot Assembly, Camshaft	1
	2 2.03.021.1	Washer, Governor Shaft, Ø6.4 x Ø13 x 1	4
	3 717.042002.30	Follower, Camshaft	2
	4 61.040009.00	Follower, Camshaft	2
	5 61.042001.00	Spring, Support	2
103	1.276.6003.1	Bearing, Roller Ø35 x Ø17 x 10	1
104	717.030026.00	Plug, Npt1/8-27 Hexagon Socket	1
105	2.04.004	Pin, Ø12 x 20 Location	4
106	717.110018.00	Bracket, Governor Spring	1
107	2.01.010	Bolt M8 x 35, Exhaust Stud	4
108	717.010003.00	Lift Strap	1

#	Part Number	Description	Qty.
109	1.16674.0820	Hex Small Flange Bolt, M8 x 20	2
110	2.08.122	Bolt, Hex Flange M10 x 1.25	2
111	717.040006.00	Valve, Exhaust	2
112	717.040015.00	Shim, Valve Spring	2
113	717.040017.00	Oil Seal, Valve Stem	4
114	45.040003.00	Spring, Valve	4
115	45.040001.00	Retainer, Intake Valve	4
116	717.040202.02	Bracket, Rocker Arm	4
117	1.70.1.0816	Screw, M8 x 16 Socket Head Cap	4
118	22.040012.00	Adjusting, Lash	4
119	717.040200.02	Rocker Arm	4
120	717.020002.00	Gasket, Rocker Cover	2
121	1.5789.0625	Hex Flange Bolt, M6 x 25	8
122	2.05.050	Clamp, 100 mm	1
123	717.021001.24	Rocker Cover Assembly	1
124	21.040021.00	Jam Nut, M6 x 0.5 mm Pitch	4
125	1.6170.08	Hex Nut, Gb6170, M8	4
126	717.040016.00	Sleeve, Rocker Arm	4
127	2.08.086	Bolt, M8 x 1.25 Hhw Special	4
128	717.040005.00	Push Rod	4
129	45.040002.00	Valve, Intake	2
130	2.08.014	Bolt, Hex Flange M10 x 80	6
131	717.080300.02	Air Guide Assembly, Inner Cyl #2	1
132	717.010100.22	Head Assembly, Cylinder 2	1
133	717.030009.00	Gasket Assembly, Cylinder Head	2
134	717.121000.00	Coil, Charging	1
135	45.135001.20	Clip, Clevis	1
136	717.010100.21	Head Assembly, Cylinder 1	1
137	717.080300.01	Air Guide, Inner Cylinder 1 Assy	1
138	2.06.029	Clamp Ø17, Breather Tube	2
139	2.15.002	Spark Plug, F6RTC	2
140	717.021001.23	Rocker Cover Assembly, Oil Fill	1
141	999.022000.00	Cap, Oil Fill Assembly	1
	1 2.07.001	Seal, Cap Oil Fill, Ø25.5 x Ø3.5	1
	2 999.020004.00	Cap, Oil Fill	1
142	717.110005.01	Spring, Link Take Up	1
143	717.110006.00	Link, Governor	1
144	2.08.107	Bolt, Governor Arm	1

#	Part Number	Description	Qty.
145	2.03.019	Washer, Ø8.2 x Ø17 x 0.8	1
146	61.110008.00	Pin, Shaft	2
147	1.5801.0810	Bearing, Roller	2
148	1.97.1.08	Washer Ø8	2
149	61.110001.00	Shaft, Governor	1
150	717.110007.02	Spring, Governor	1
151	717.110003.00	Lever, Governor Arm	1
152	1.6177.06	Nut, M6 Hexagon Flange	1
153	2.11.006	Shaft Oil Seal, Ø7 x Ø14 x 5	1
154	717.010003.01	Lift Strap With Baffle	1
155	717.030103.30	Pipe	1
156	717.070902.30	Protective Sleeve, Pulse Line	1
157	717.010000.02	Cylinder Head Assembly 2	1
158	717.010000.01	Cylinder Head Assembly 1	1
159	2.06.054	Hose Clamp, Ø12.8	2
160	2.06.027	Hose Clamp, Ø10.5 x b8	2
161	1.6182.05	SRLF-LOCKONG NUT M5	1
162	717.110014.00	Choke Arm	1
163	717.130005.00	Support, Stepper Motor	1
164	717.132200.00	Stepper Motor	1
165	1.9074.4.0308	Pan Head Screw	2

Wiring Diagram



## TROUBLESHOOTING

Problem	Cause	Solution
Engine will not start.	No fuel.	Add fuel.
	Faulty spark plug.	Clean and adjust spark plug or replace.
	Low oil level.	Fill crankcase to the proper level.
		Place generator on a flat, level surface.
	Spark plug wire loose.	Attach wire to spark plug. Check both spark plugs.
	Fuel dial OFF.	Turn fuel dial ON.
	Old fuel or water in fuel.	Drain fuel and replace with fresh fuel.
Flooded with fuel.	Let unit stand for 10 mins.	
Engine starts but runs roughly.	Choke in the wrong position.	Push choke knob in.
	Dirty air filter.	Clean or replace air filter.
	Dirty fuel filter.	Replace fuel filter.
	Clogged spark arrestor.	Clean spark arrestor.
Engine will not start electrically.	Generator battery is dead.	Recharge generator battery.
Engine shuts down during operation.	Out of fuel.	Fill fuel tank.
	Low oil level.	Fill crankcase to the proper level. Place generator on a flat, level surface.
	Clogged spark arrestor.	Clean spark arrestor.
Generator cannot supply enough power or overheating.	Generator is overloaded.	Review load and adjust. See "Connecting Electrical Loads."
	Dirty air filter.	Clean or replace air filter.
	Choke in wrong position.	Push choke knob in.
Engine is running but no AC output.	Poor cord connection.	Check all connections.
	Circuit breaker is open.	Reset circuit breaker. Check all circuit breakers.
	Loose wiring.	Inspect and tighten wiring connections.
	Other.	Contact the help line.
Engine hunts or falters.	Engine governor defective.	Contact the help line.
	Dirty fuel filter.	Replace fuel filter.
	Choke in wrong position.	Push choke knob in.
Repeated circuit breaker tripping.	Overload.	Review load and adjust. See "Connecting Electrical Loads."
	Faulty power cords or device.	Check for damaged, bare or frayed wires. Replace defective device.
	Circuit breaker still too hot.	Let unit sit for 5 mins.



## WARRANTY\*

CHAMPION POWER EQUIPMENT  
2 YEAR LIMITED WARRANTY

### Warranty Qualifications

To register your product for warranty and FREE lifetime call center technical support please visit:

<https://www.championpowerequipment.eu>

To complete registration you will need to include a copy of the purchase receipt as proof of original purchase. Proof of purchase is required for warranty service. Please register within ten (10) days from date of purchase.

### Repair/Replacement Warranty

CPE warrants to the original purchaser that the mechanical and electrical components will be free of defects in material and workmanship for a period of three (3) years for domestic usage and One (1) Year for commercial and industrial use. Transportation charges on product submitted for repair or replacement under this warranty are the sole responsibility of the purchaser.

This warranty only applies to the original purchaser and is not transferable. For full T&C's please visit [www.championpowerequipment.eu](http://www.championpowerequipment.eu)

### Do Not Return The Unit To The Place Of Purchase

Contact CPE's Technical Service and CPE will troubleshoot any issue via phone or e-mail. If the problem is not corrected by this method, CPE will, at its option, authorize evaluation, repair or replacement of the defective part or component at a CPE Service Center. CPE will provide you with a case number for warranty service. Please keep it for future reference. Repairs or replacements without prior authorization, or at an unauthorized repair facility, will not be covered by this warranty.

### Warranty Exclusions

This warranty does not cover the following repairs and equipment:

#### Normal Wear

Products with mechanical and electrical components need periodic parts and service to perform well. This warranty does not cover repair when normal use has exhausted the life of a part or the equipment as a whole.

#### Installation, Use and Maintenance

This warranty will not apply to parts and/or labor if the product is deemed to have been misused, neglected, involved in an accident, abused, loaded beyond the product's limits, modified, installed improperly or connected incorrectly to any electrical component. Normal maintenance is not covered by this warranty and is not required to be performed at a facility or by a person authorized by CPE.

### Other Exclusions

This warranty excludes:

- Cosmetic defects such as paint, decals, etc.
- Wear items such as filter elements, o-rings, piston rings, etc.
- Accessory parts such as starting batteries, and storage covers.
- Failures due to acts of God and other force majeure events beyond the manufacturer's control.
- Problems caused by parts that are not original Champion Power Equipment parts.

When applicable, this warranty does not apply to products used for prime power in place of a utility or city power.

### Limits of Implied Warranty and Consequential Damage

Champion Power Equipment disclaims any obligation to cover any loss of time, use of this product, freight, or any incidental or consequential claim by anyone from using this product. THIS WARRANTY AND THE ATTACHED U.S. EPA and/or CARB EMISSION CONTROL SYSTEM WARRANTIES (WHEN APPLICABLE) ARE IN LIEU OF ALL OTHER WARRANTIES, EXPRESS OR IMPLIED, INCLUDING WARRANTIES OF MERCHANTABILITY OR FITNESS FOR A PARTICULAR PURPOSE.

A unit provided as an exchange will be subject to the warranty of the original unit. The length of the warranty governing the exchanged unit will remain calculated by reference to the purchase date of the original unit.

This warranty gives you certain legal rights which may change from state to state or province to province. Your state or province may also have other rights you may be entitled to that are not listed within this warranty.

### Contact Information

Winch Solutions Ltd

Unit 17-18 Bradley Trading Estate

Standish WN6 0XQ / UK

[www.championpowerequipment.eu](http://www.championpowerequipment.eu)

[support@cpeurope.co.uk](mailto:support@cpeurope.co.uk)